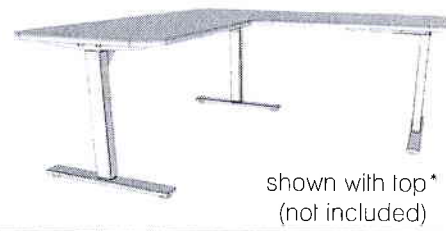


D6000

electric height adjustable desk

ASSEMBLY INSTRUCTIONS



shown with top*
(not included)


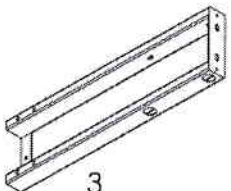

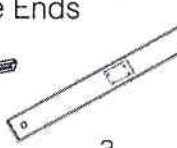
Thank you for purchasing our electric adjustable height desk. Please take time to identify all the parts and hardware prior to assembly. Place all components on a padded/carpeted area to avoid damage. For safety, we recommend 2-3 people for assembly.

*minimum top size: 43.5" x 36 x 24" deep








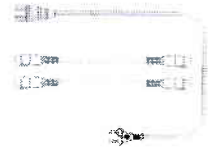
Tools Required

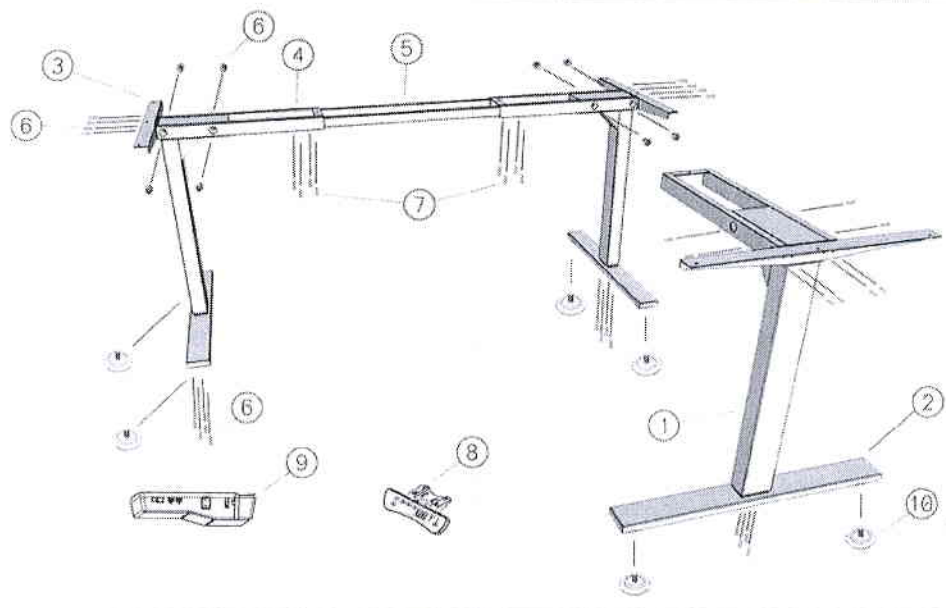
- 4mm Allen Wrench (included) 
- Tape Measure 
- Phillips Head Screwdriver 

Components

-  3 Lifting Columns
-  3 Top Mounting Frame Ends
-  2 Center Rails
-  3 Desk Feet

Hardware

-  36 Large Bolts (M6x14)
-  8 Medium Bolts (M6x10)
-  15 Cable Clips
-  6 Leveling Studs
-  3 Top Mounting Brackets
-  1 Control Box
-  1 LED Handset
-  4 Wires
(1 Power Cord)
(2 - 43" Cables)
(1 - 59" Cable)

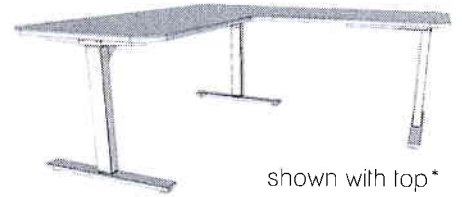


No.	Description	Qty
1	Lifting Column	3
2	Foot	3
3	Top Mount Side Bracket	3
4	Top Mount Frame End	3
5	Center Rail	2
6	Large Bolt	36
7	Medium Bolt	8
8	LED Handset	1
9	Control Box	1
10	Leveling Stud	6

D6000

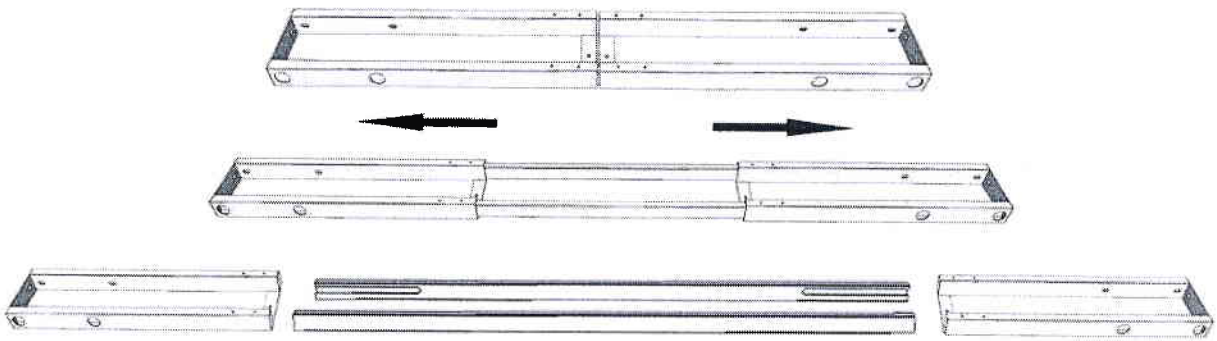
electric height adjustable desk

ASSEMBLY INSTRUCTIONS

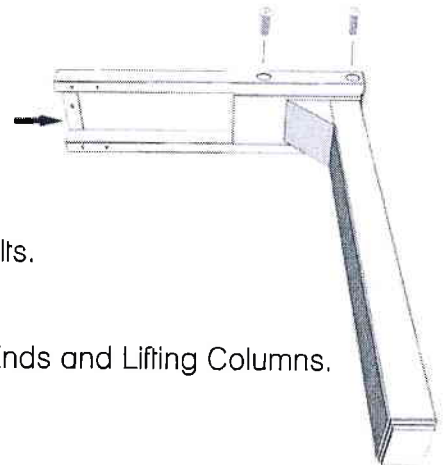


- 1 Lay out all components and hardware to ensure that you have all the parts listed on page 1.

- 2 Fully separate the two connected Top Mount Frame Ends (you will find the Center Rails inside).

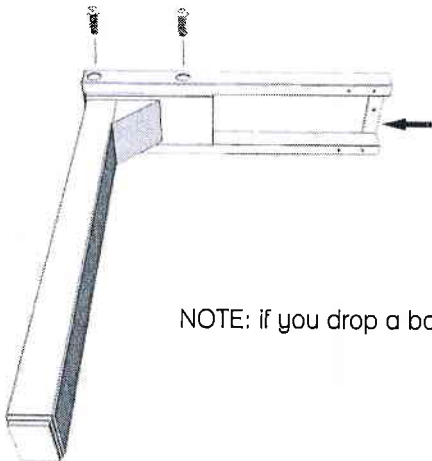


- 3 Position one of the Top Mount Frame Ends on its side. Place one of the Lifting Columns into the Top Mount Frame End, ensuring that the bar (arrow) is on "top" in relation to the "leg." Line up the holes and screw in two (2) Large Bolts. Do NOT tighten the bolts at this point.



Flip the assembly over and screw in two (2) more Large Bolts.
Do NOT tighten the bolts at this point.

Repeat Step 3 with the other two sets of Top Mount Frame Ends and Lifting Columns.

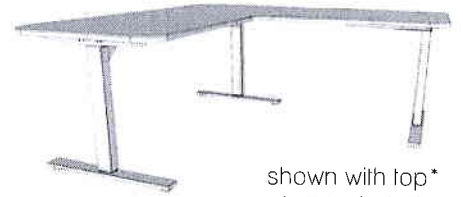


NOTE: if you drop a bolt inside the Top Mount Frame End, simply tilt to retrieve the bolt.

D6000

electric height adjustable desk

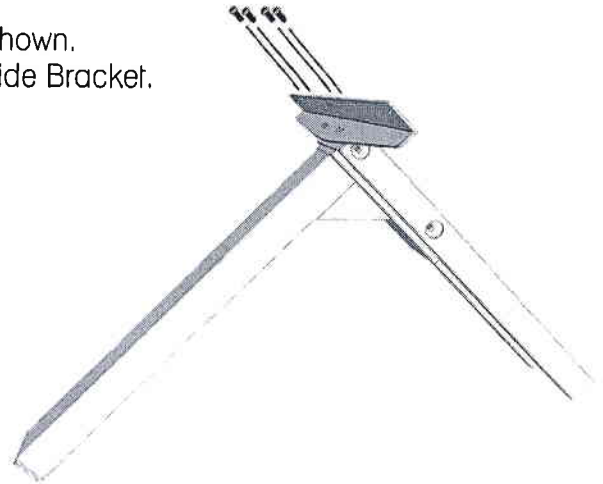
ASSEMBLY INSTRUCTIONS



- ④ Prop up one of the assemblies from Step 3, as shown. Use four (4) Large Bolts to attach a Top Mount Side Bracket.

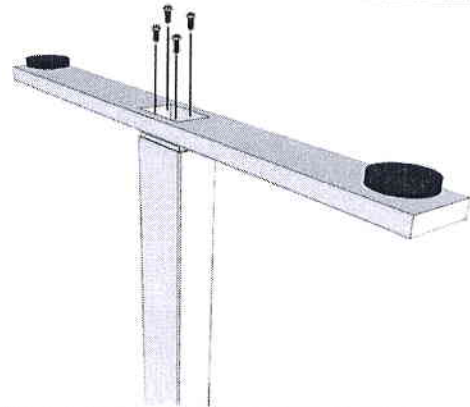
Repeat Step 4 with the other two assemblies.

Now tighten all the bolts from Step 3 and Step 4.

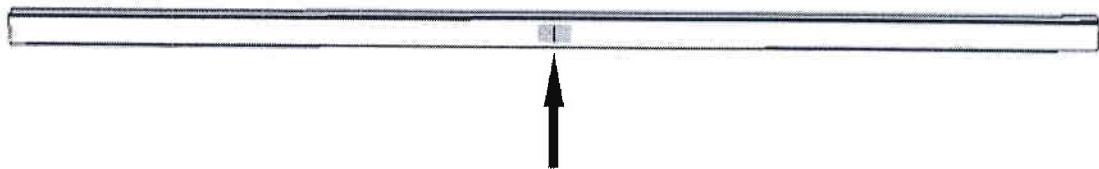


- ⑤ For each assembly, attach a Foot with four (4) Large Bolts and tighten bolts in a cross pattern.

Screw two (2) Leveling Studs into the bottom of each foot.

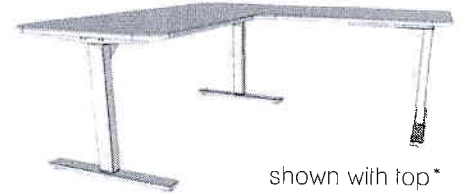


- ⑥ Place a piece of tape in the middle of a Center Rail (on the side opposite the slots). Measure the center of the Rail and mark it on the tape with a pencil. Repeat with the other Center Rail.



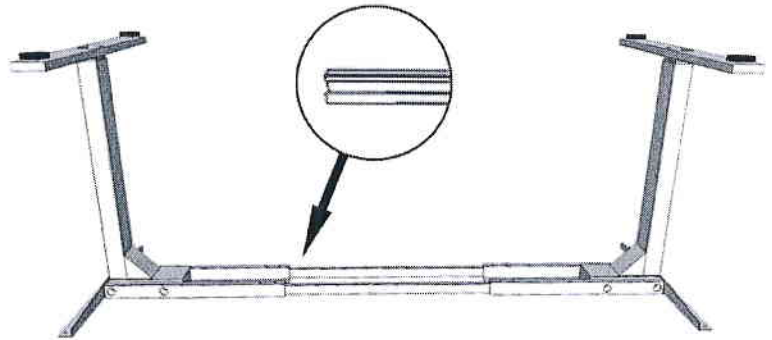
D6000

electric height adjustable desk

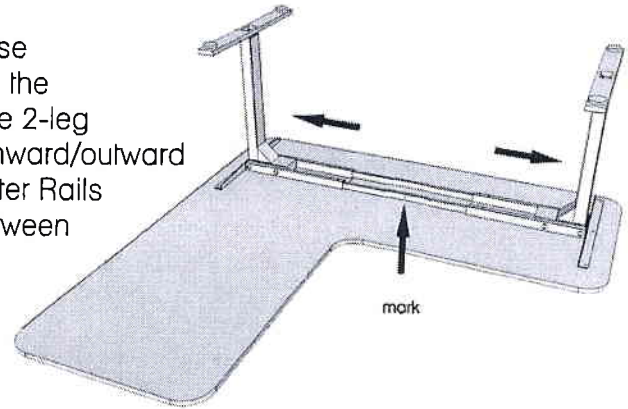


shown with top*
(not included)

- 7 Slide the two (2) Center Rails into two Top Frame Mount Ends, ensuring:
- a) the slots face inward
 - b) the slot is closer to top edge of the Center Rail when the assembly is upside down (see inset).



- 8 Carefully place the upside down 2-leg desk base assembly on the underside of your desktop (on the longer side, if applicable). Adjust the width of the 2-leg base assembly to fit by sliding the two halves inward/outward (42.25" min. to 74.75" max.). Then slide the Center Rails to ensure the tape mark (Step 6) is centered between the Top Mount Frame Ends.

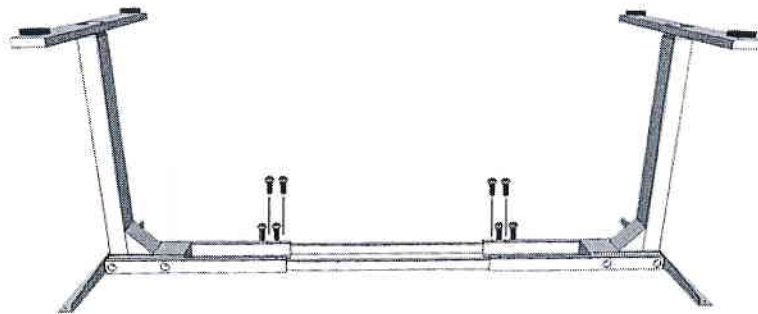


IMPORTANT NOTES for placement:

Width: The minimum width desktop you can use is 43.2". We recommend leaving at least 1/2" of space on each end.

Depth: The minimum depth top you can use is 23". We recommend that you center the base on the desktop (front to back). The Desk Feet are deeper than the Top Mount Side Brackets. If your top is 25.5" - 27.5" and you want the rear edge of the top in line with the rear edges of the feet, offset your desktop toward the back.

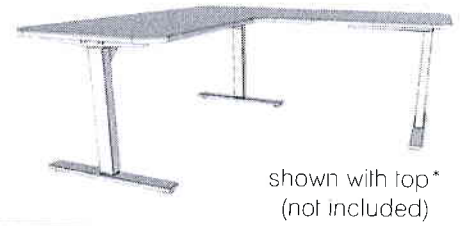
- 9 Lock the position of the Center Rails using eight (8) Medium Bolts. Remember, maximum width is 74.75".



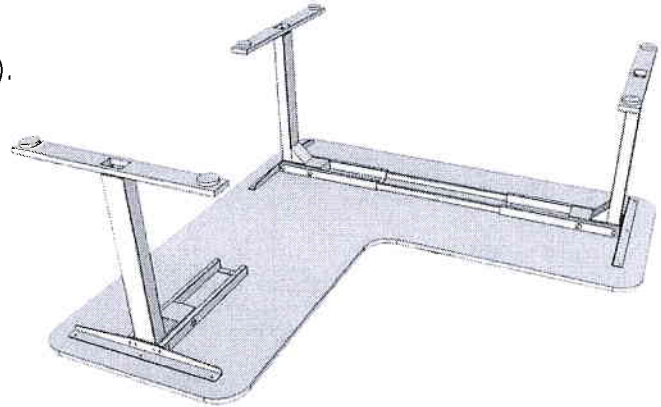
D6000

electric height adjustable desk

ASSEMBLY INSTRUCTIONS



- 10** Place the 1-leg base assembly (on the shorter end of the top, if applicable). Match the alignment you selected for the 2-leg base assembly.

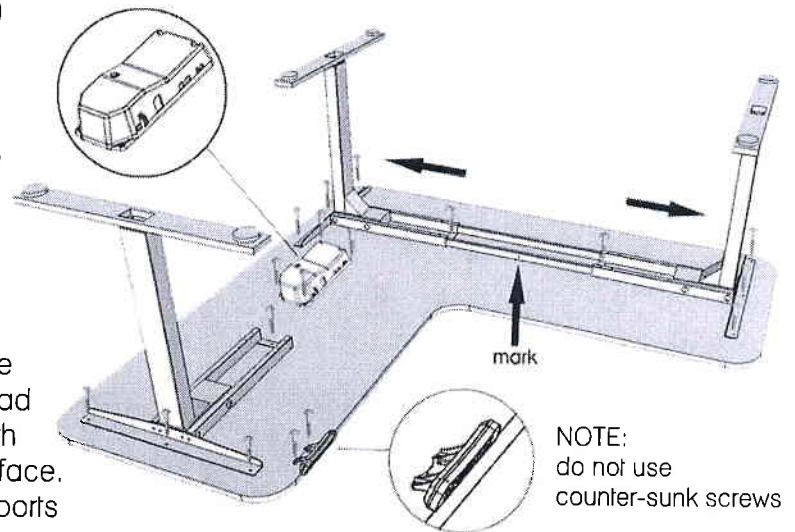


- 11** Double-check that the desk base is properly positioned on the underside of your desktop. Now attach the 2-leg base assembly using eight (8) pan-head wood screws (not provided) of a length that will not damage your desktop surface:
- 3 per Top Mount Side Bracket (9 total)
 - 1 per Top Mount Frame End (3 total)

Now attach the 1-leg base assembly using four (4) pan-head wood screws (not provided) of a length that will not damage your desktop surface:

- 3 per Top Mount Side Bracket
- 1 per Top Mount Frame End

Attach the Control Box to the underside of your desktop using four (4) pan-head wood screws (not provided) of a length that will not damage your desktop surface. Ensure enough clearance at the wire ports for cable connections. **DO NOT OVER-TIGHTEN.**

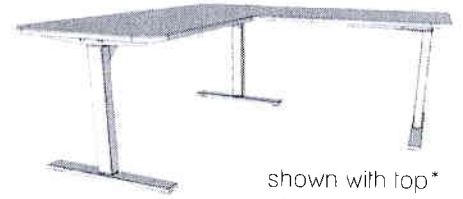


Attach the LED Handset so the front of the handset is flush with the front desktop edge (or recessed up to 1/8"). The LED Handset may be placed anywhere along the front edge of your desktop but we recommend placing it toward an end so it does not interfere with your chair when seated. Use two (2) pan-head wood screws (not provided) of a length that will not damage your desktop surface. **DO NOT OVER-TIGHTEN.**

D6000

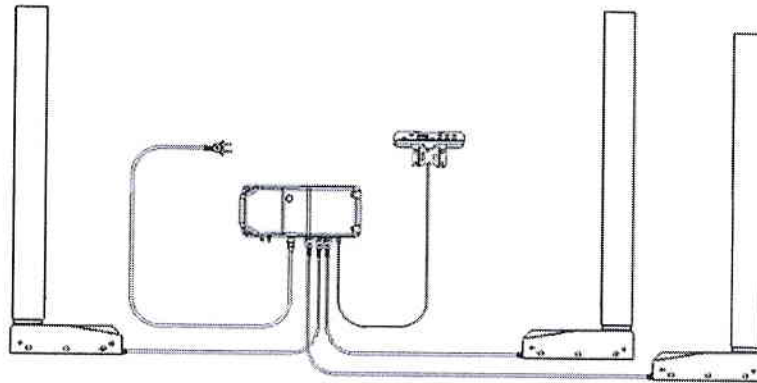
electric height adjustable desk

ASSEMBLY INSTRUCTIONS



shown with top*
(not included)

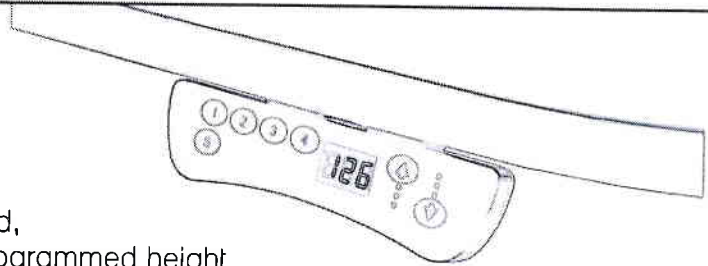
- 12** Connect the Cables as per the diagram below. Use the adhesive-backed Cable Clips to secure the Cables and Handset cable, so they don't sag.



- 13** Turn the assembled desk right-side-up (2-3 person operation). Adjust the leveling studs on the feet as needed. Plug the Power Cord into a 110v outlet.

***** First time set-up (and manual reset): Push and hold the DOWN button on the LED Handset until the desk reaches its lowest height, slightly rises and stops. Release the DOWN button. Your desk is now ready to use.

To program up to four presets:
Use the up/down buttons to find
a desired height, then press "S"
followed by a number 1 - 4.



CAUTION: Once a preset button is pushed,
the desk will automatically move to the programmed height.
MAKE SURE ALL CORDS ARE APPROPRIATE LENGTH FOR DESK TRAVEL.
ALSO ENSURE THAT NO OBSTACLES ARE IN THE DESK'S PATH AND
THE DESKTOP IS NOT TOUCHING ANY WALLS.