

Assembling Instruction For 74152

Components



A*8 (5*60mm)



B*4 (5*50mm)



C*4 (5*35mm)



D*8
(metal)



E*4
(rubber)



F*4

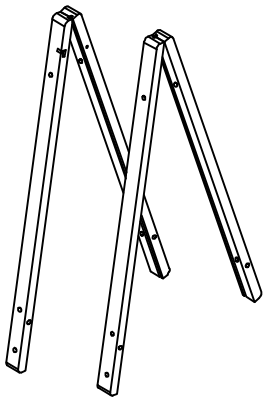


G*4

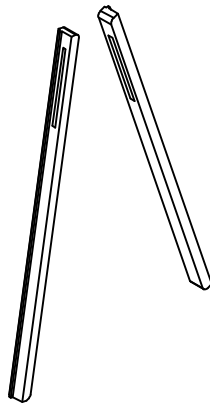


H*8

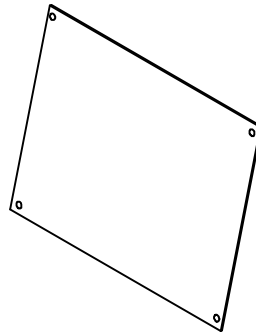
Hardware



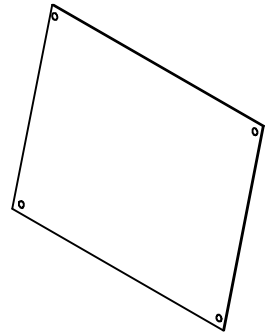
① 1pc



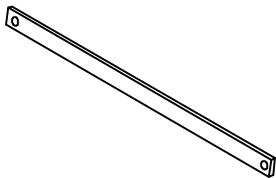
② 2pcs



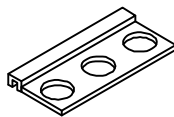
③ 1pc



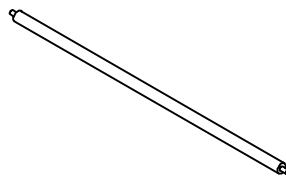
④ 1pc



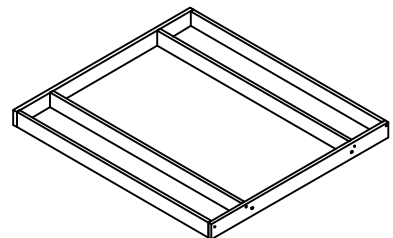
⑤ 2pcs



⑥ 1pc



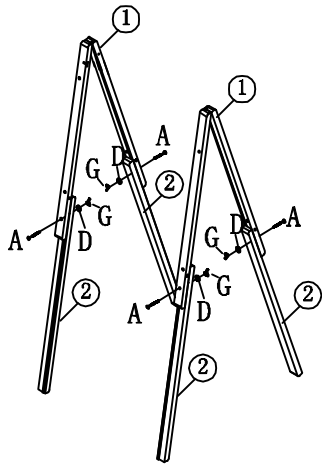
⑦ 1pc



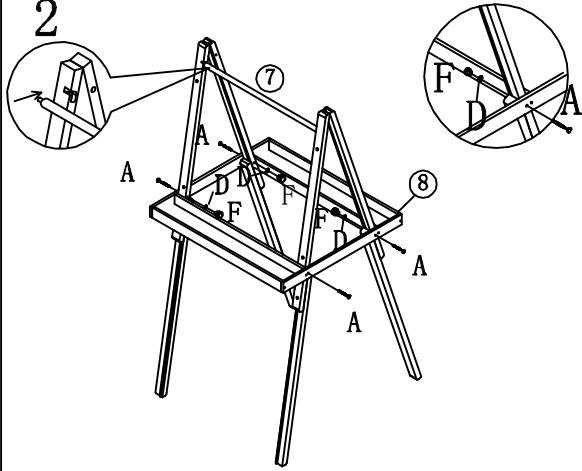
⑧ 1pc

Assembling Instruction For 74152

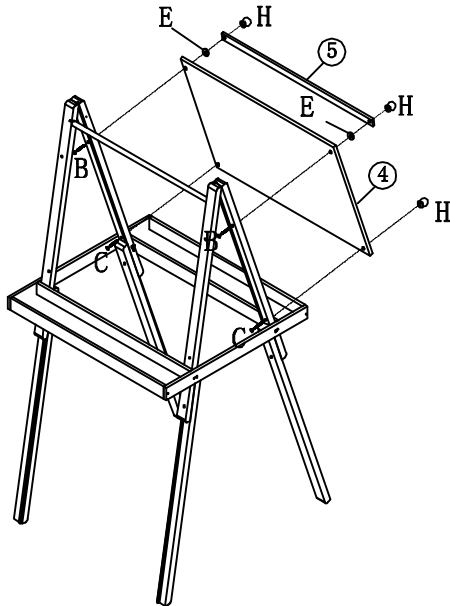
1



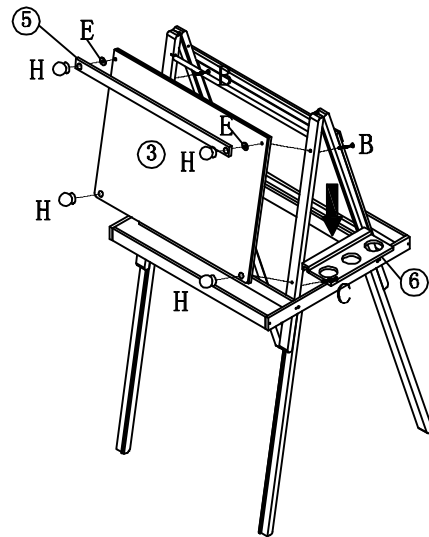
2



3



4



5

