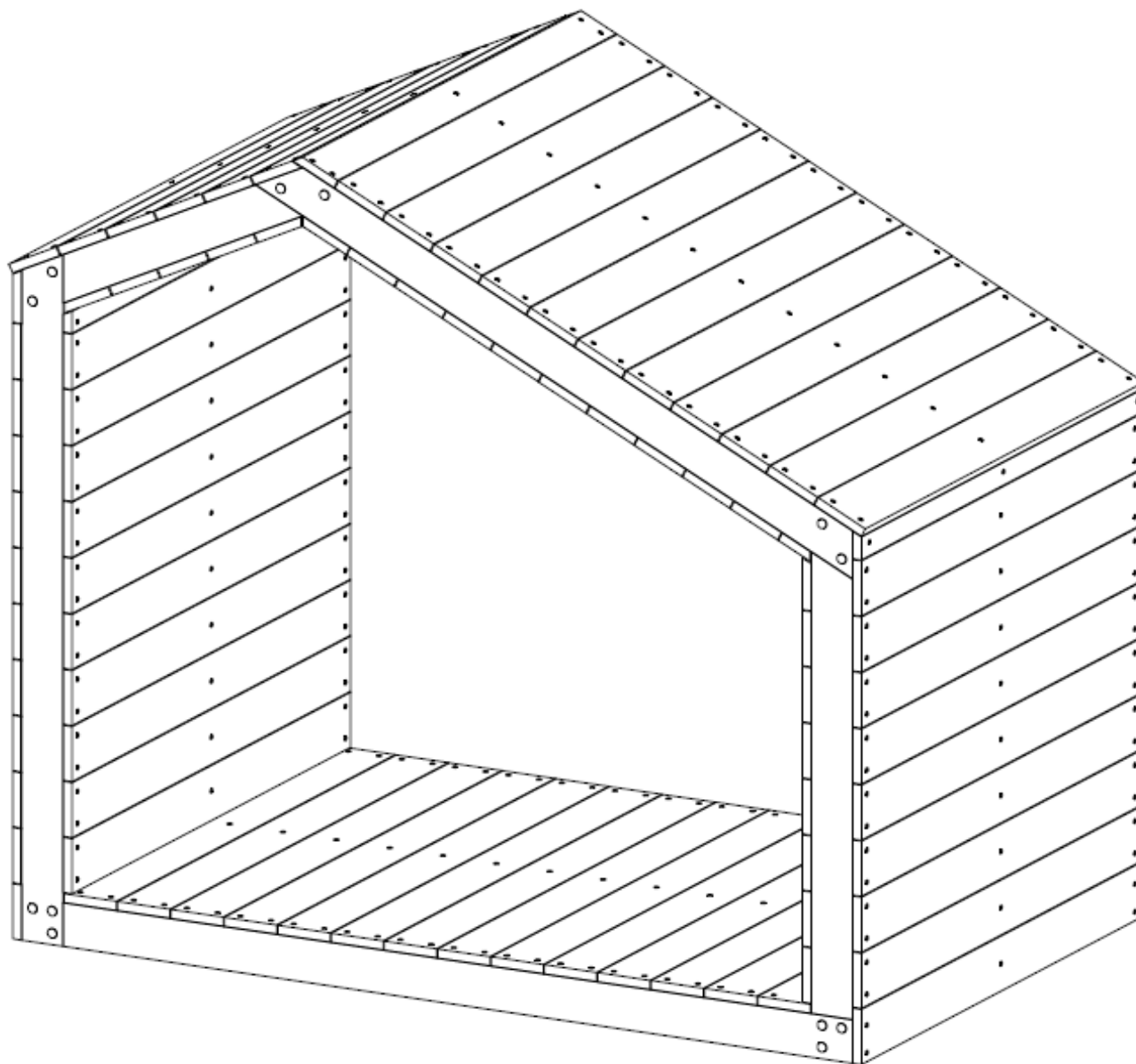
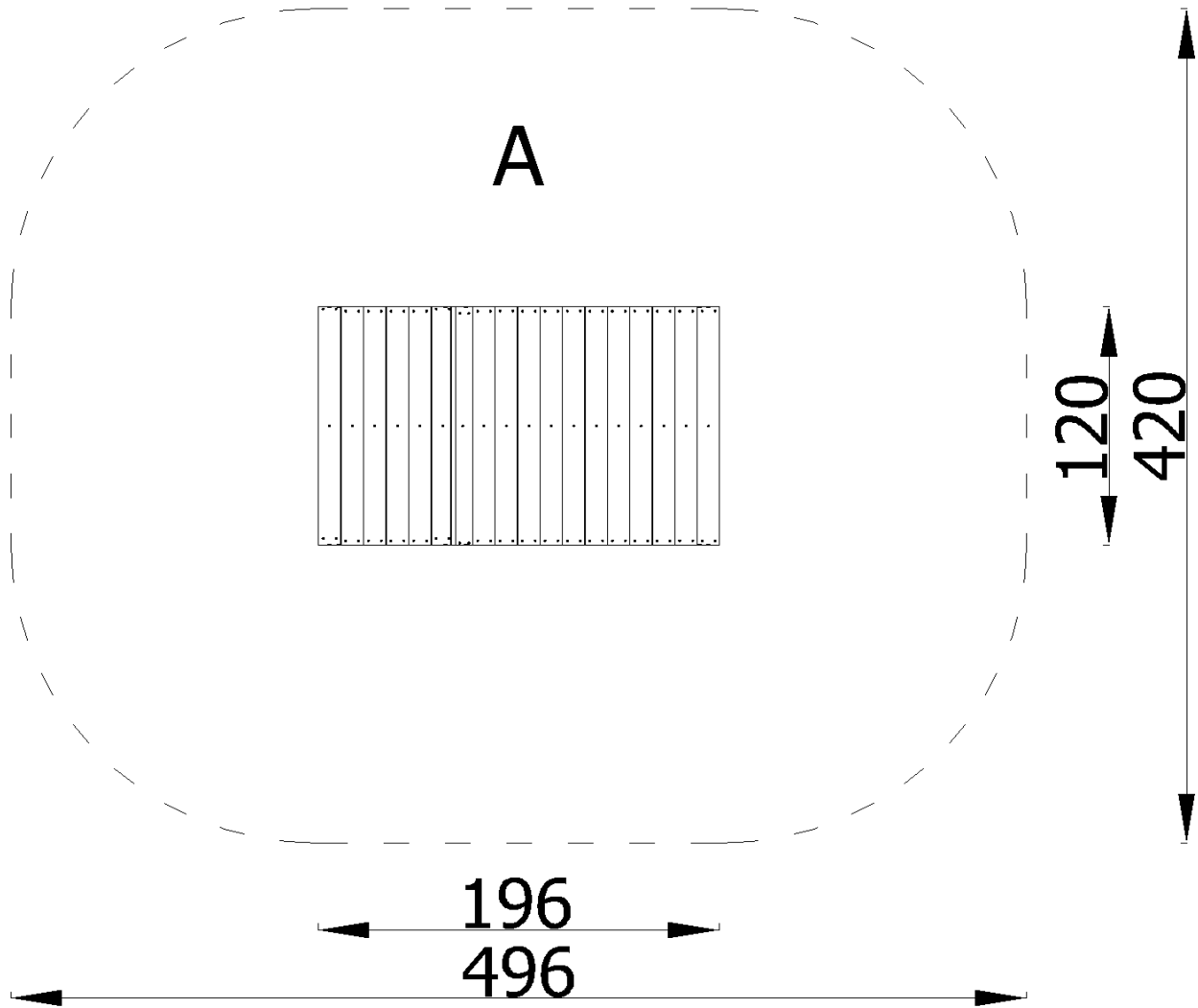


140158

Age of users	Number of users	Purpose of device	In accordance with the standard
0 - 7	5	for outdoor playing	PN-EN 1176-1:2017




Installation in accordance with the land development plan.

Safe surface

Zone	Max. fall height	Surface area	Perimeter security zone
A	0,12 m	19,00 m ²	15,70 m
B	-	-	
C	-	-	

Safe surface

140158

	Material		Min. layer thicknesses
h<0,6 m	Concrete Bituminous surfacing		
h<1 m	Topsoil Turf		
h<2 m	Bark	20÷80 mm	300
	Wood chips	5÷30 mm	
	Sand Gravel	0,25÷8 mm	
h<3 m	Bark	20÷80 mm	400
	Wood chips	5÷30 mm	
	Sand Gravel	0,25÷8 mm	
h<3 m	Synthetic granulates		acc. to the manufacturer's data

Foundation

140158



or

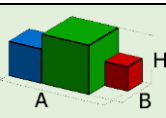
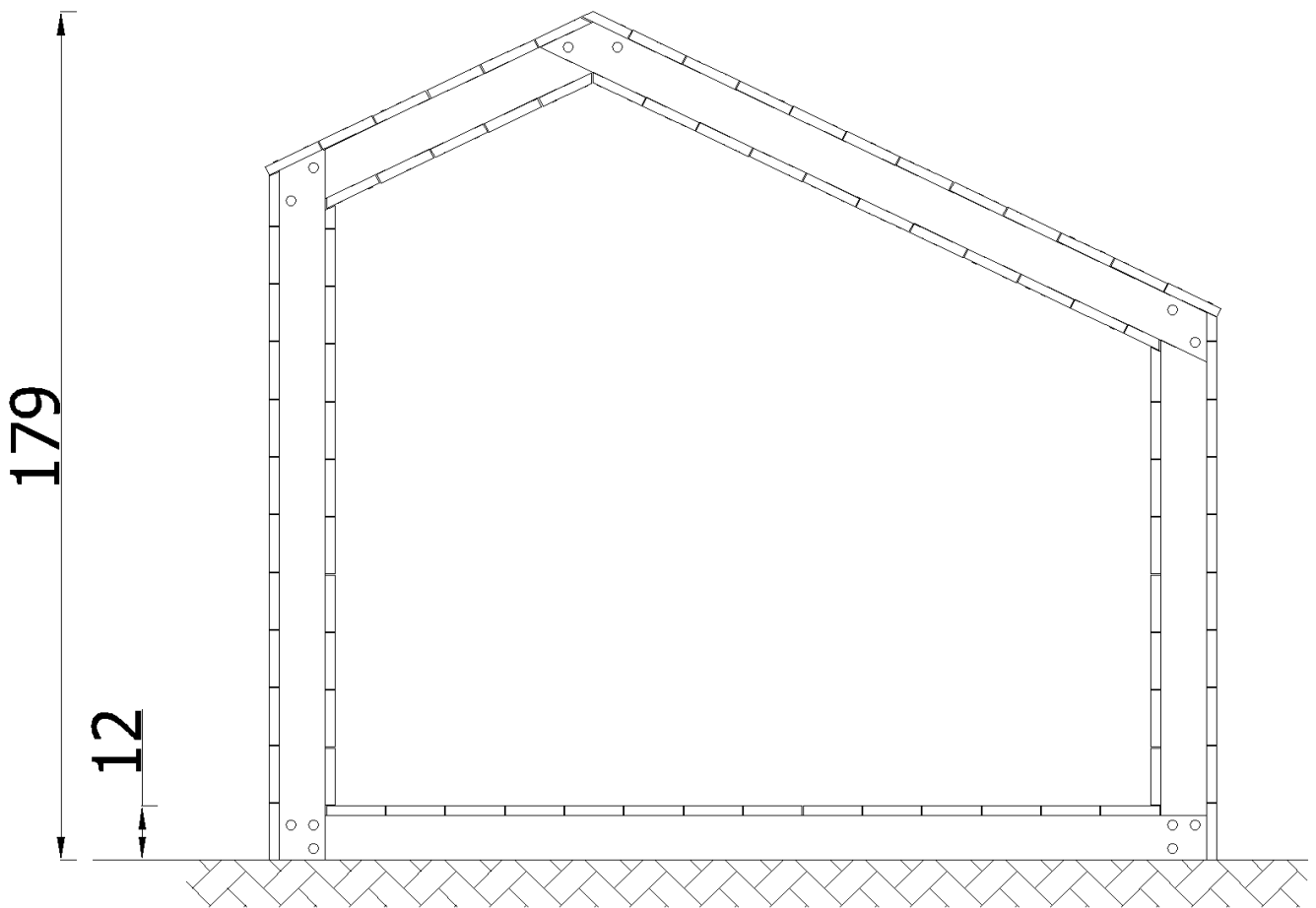


WARNING:

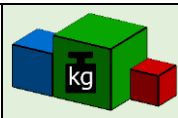
- Anchors mounted to a concrete slab with
dowels or chemical anchors!

Concrete: **C16/20** - **0,00 m³**

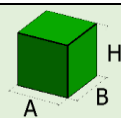
In order to control the foundations, remove the safe surface (sand, gravel, etc.)



1,96x1,2x1,79
(AxBxH) [m]



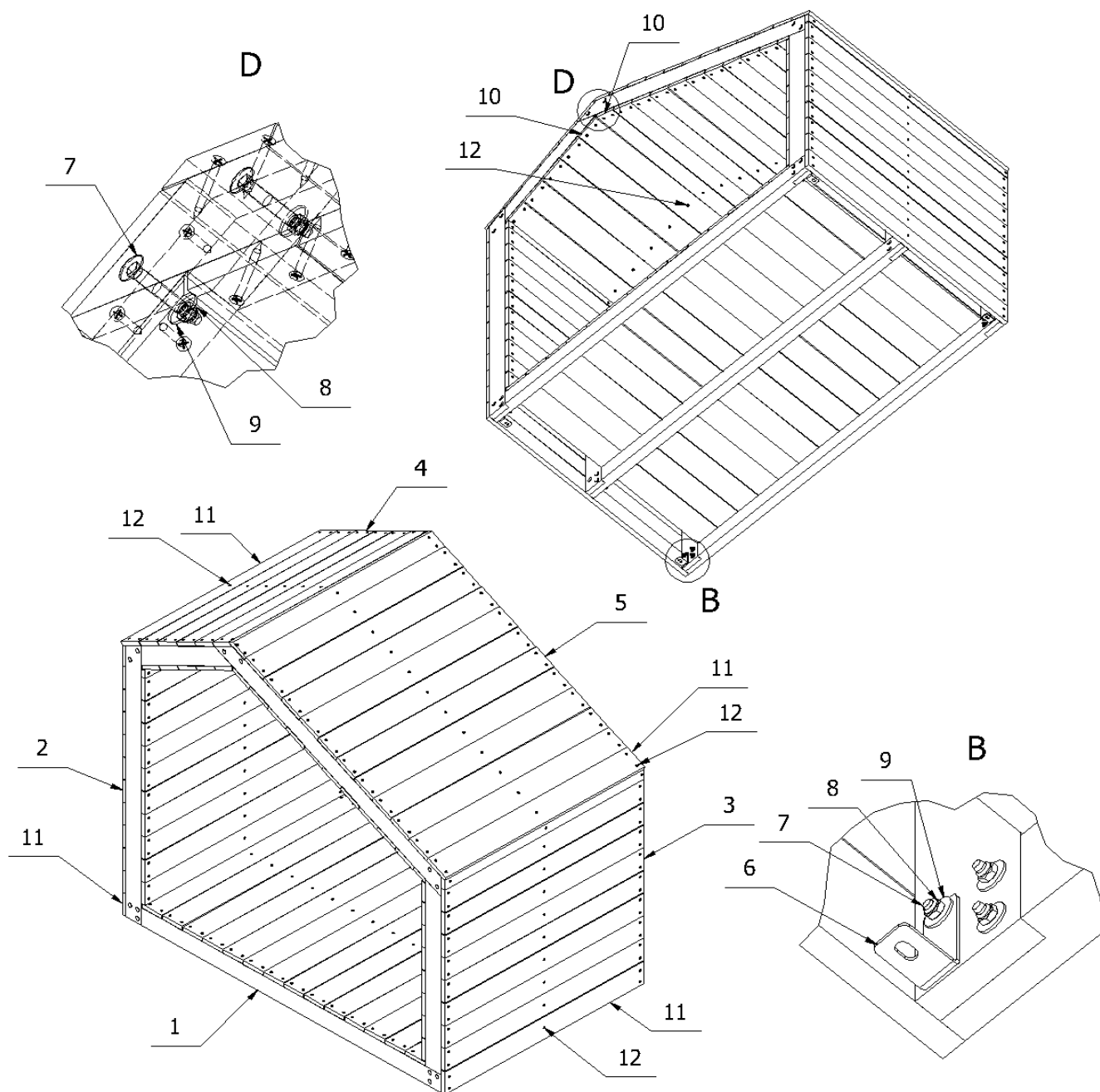
194 kg



(AxBxH) [m]



48 kg






Spare parts available from the manufacturer. Use thread glue in screw connections.

12	UNIX screw Ø5x50_A2	8905_108_5x50_A2	30
11	Board 120x20x1200	DSK_3368_001	4
10	Board 120x20x1200	DSK_3368_007	2
9	Wide washer	ISO7093_8_A2	36
8	Self-locking nut	DIN985_M8_A2	36
7	Castle bolt	DIN603_M8x60_A2	36
6	Sheet metal 3x128x30	B_3300_001	4
5	Long roof	3368_007	1
4	Short roof	3368_006	1
3	Low side wall	3368_005	1
2	High side wall	3368_004	1
1	Platform	3368_008	1
No.	Part name	Part No.	Quantity

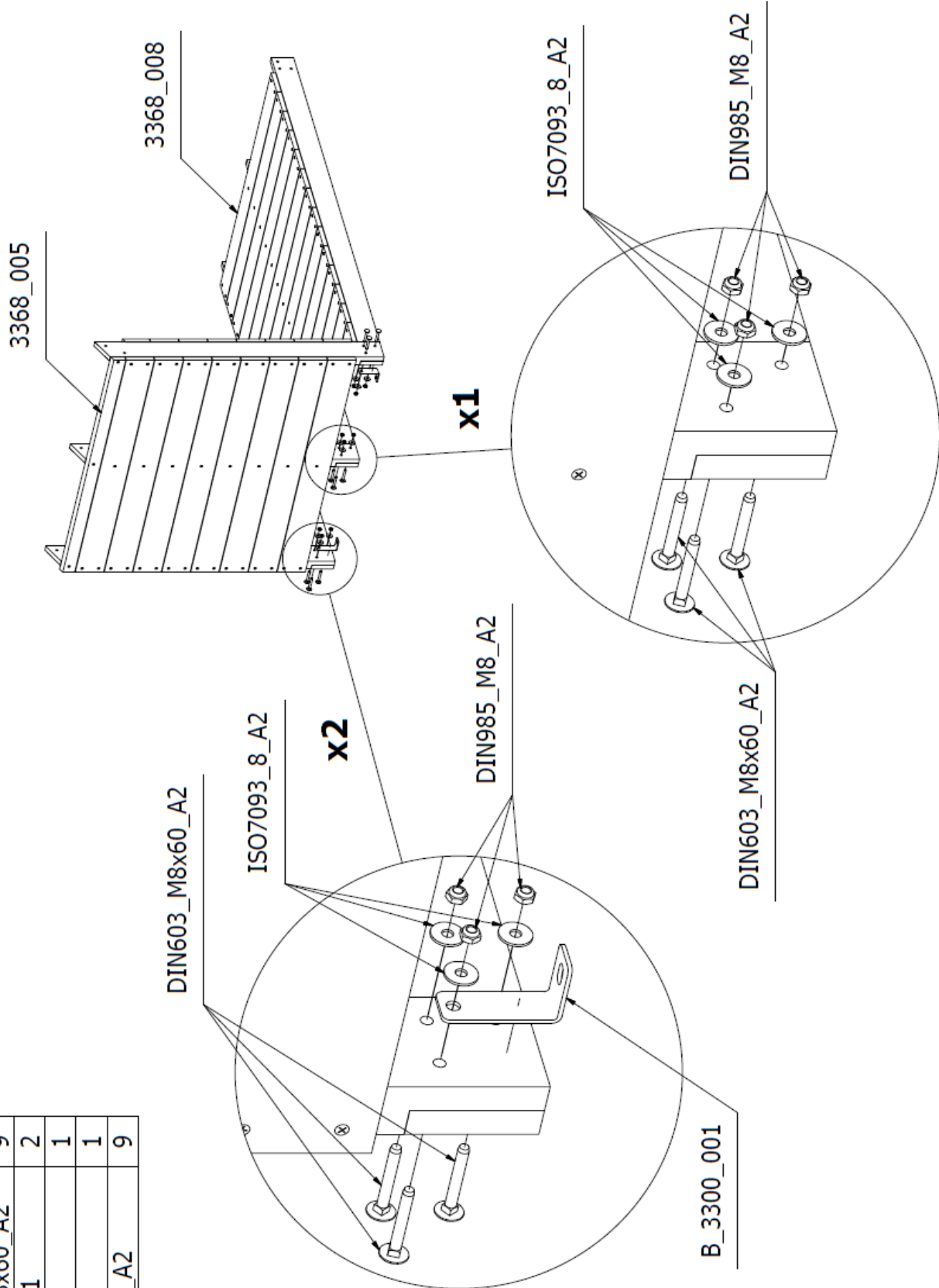
Tools

140158

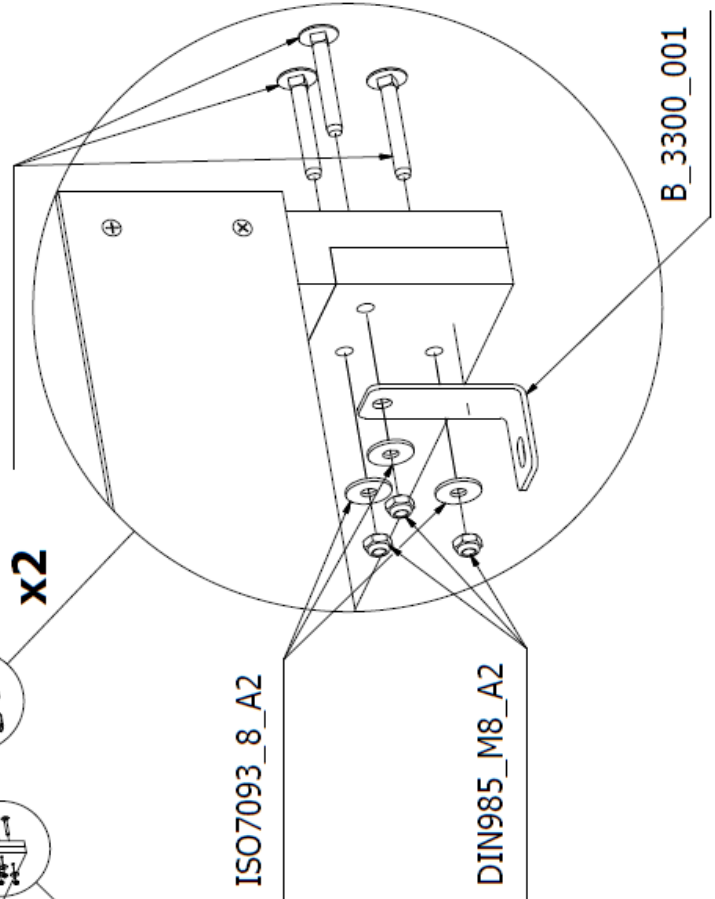
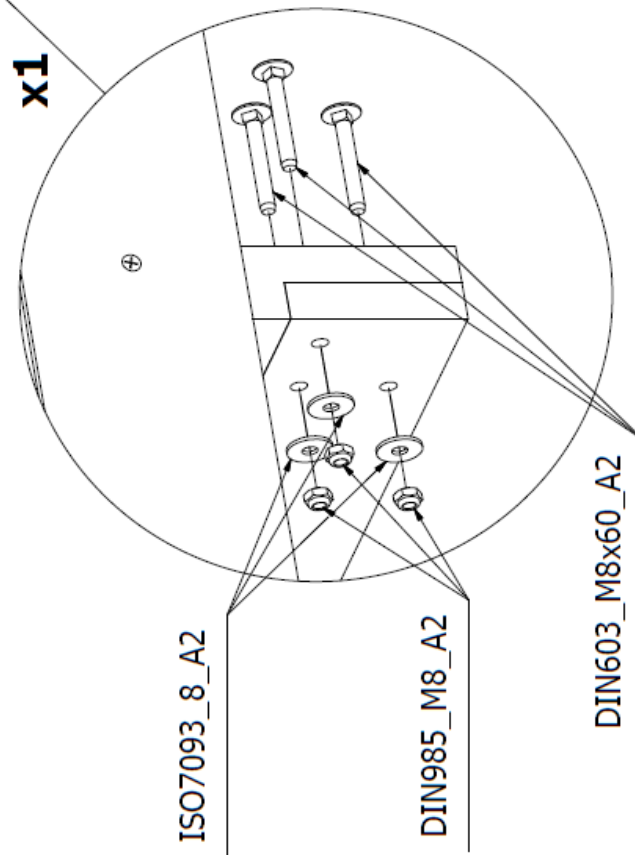
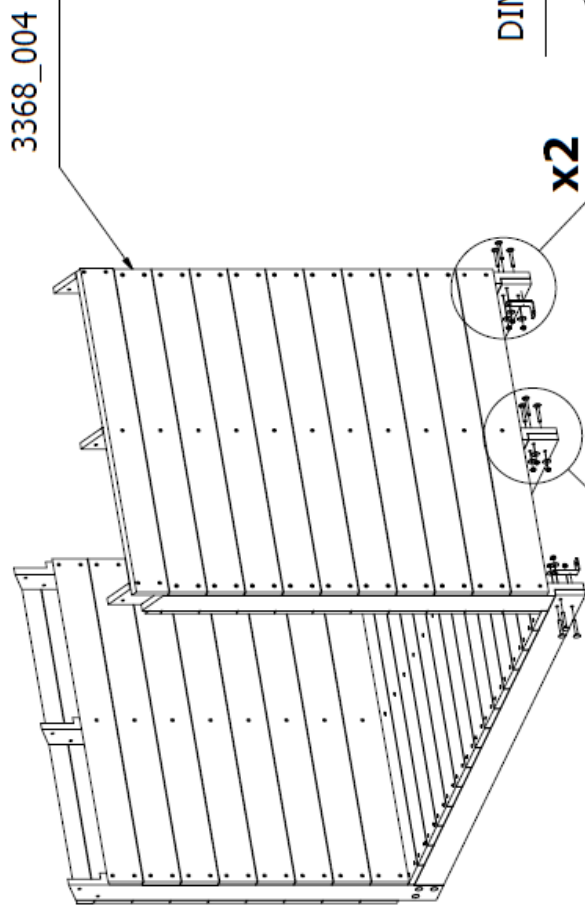
															
								5 m	30 m						
															
2,5 m				60 cm	100 cm										
															
				7 mm								13 mm	17 mm	19 mm	24 mm
															
13 mm	17 mm	19 mm	24 mm	4 mm	5 mm	6 mm	8 mm	T40				T45			
															

Attention
Before assembling the walls, the house platform should be anchored

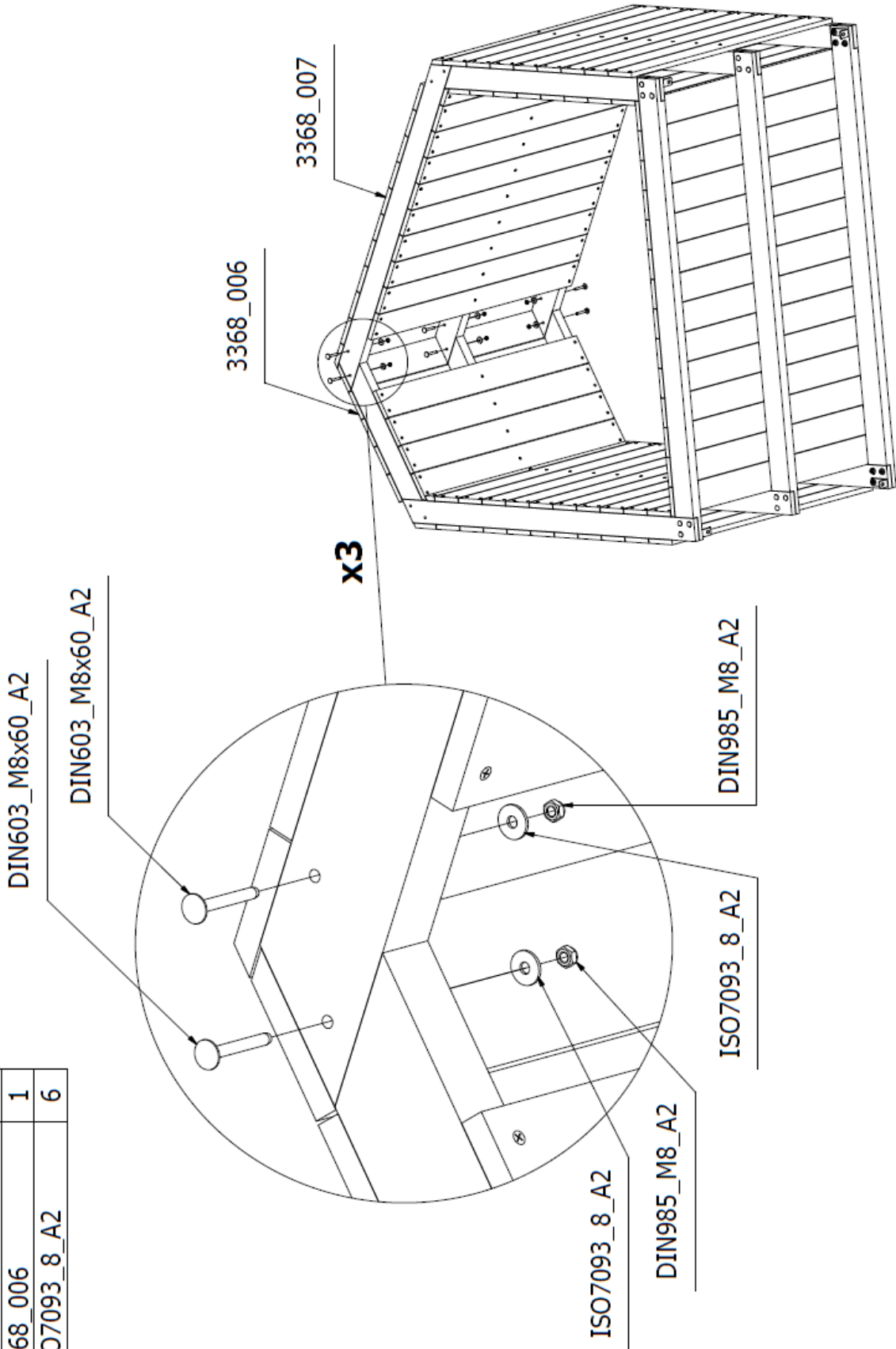
DIN985_M8_A2	9
DIN603_M8x60_A2	9
B_3300_001	2
3368_005	1
3368_008	1
ISO7093_8_A2	9



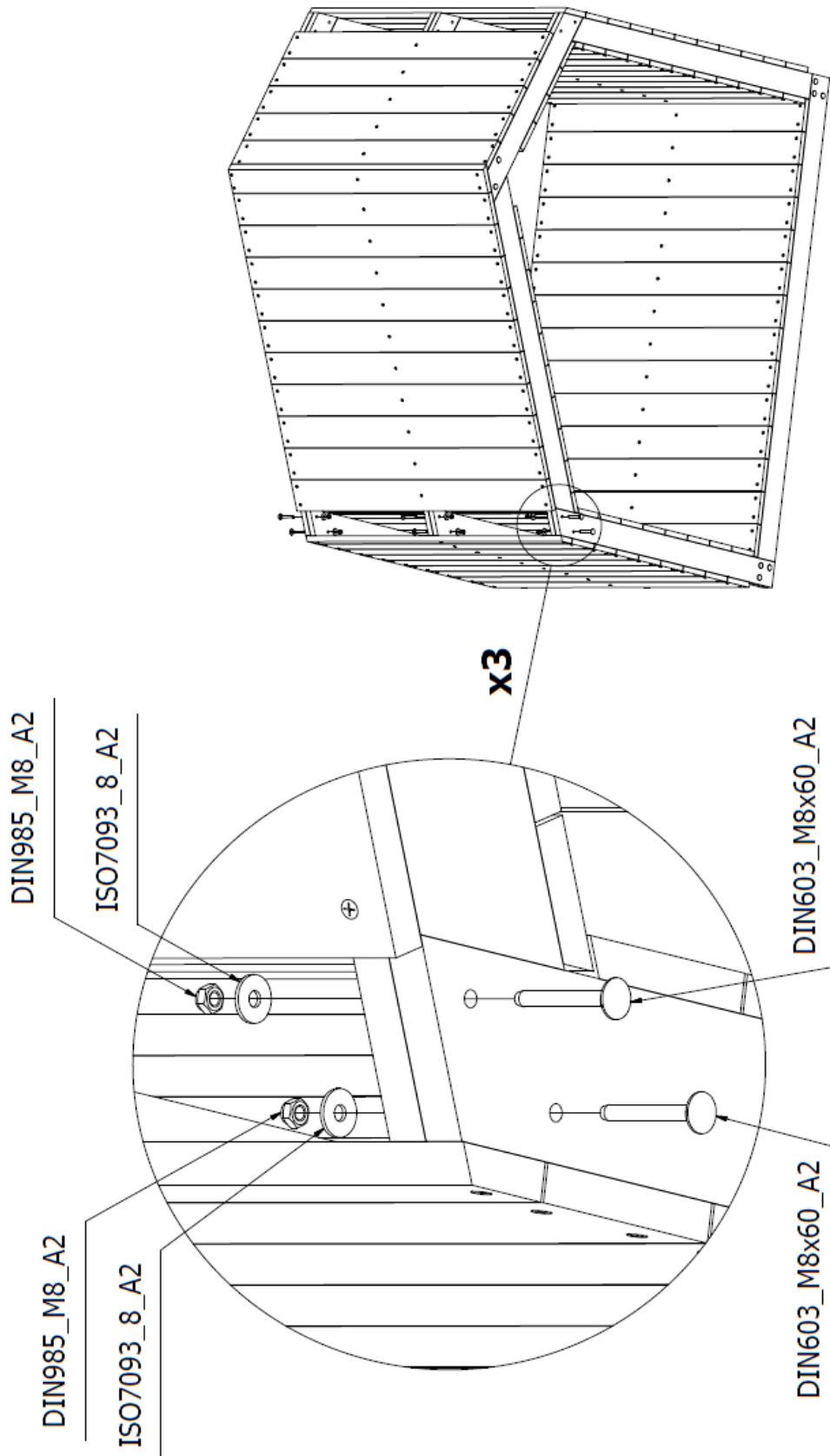
DIN985 M8 A2	9
DIN603 M8x60 A2	9
B 3300 001	2
3368 004	1
ISO7093 8 A2	9



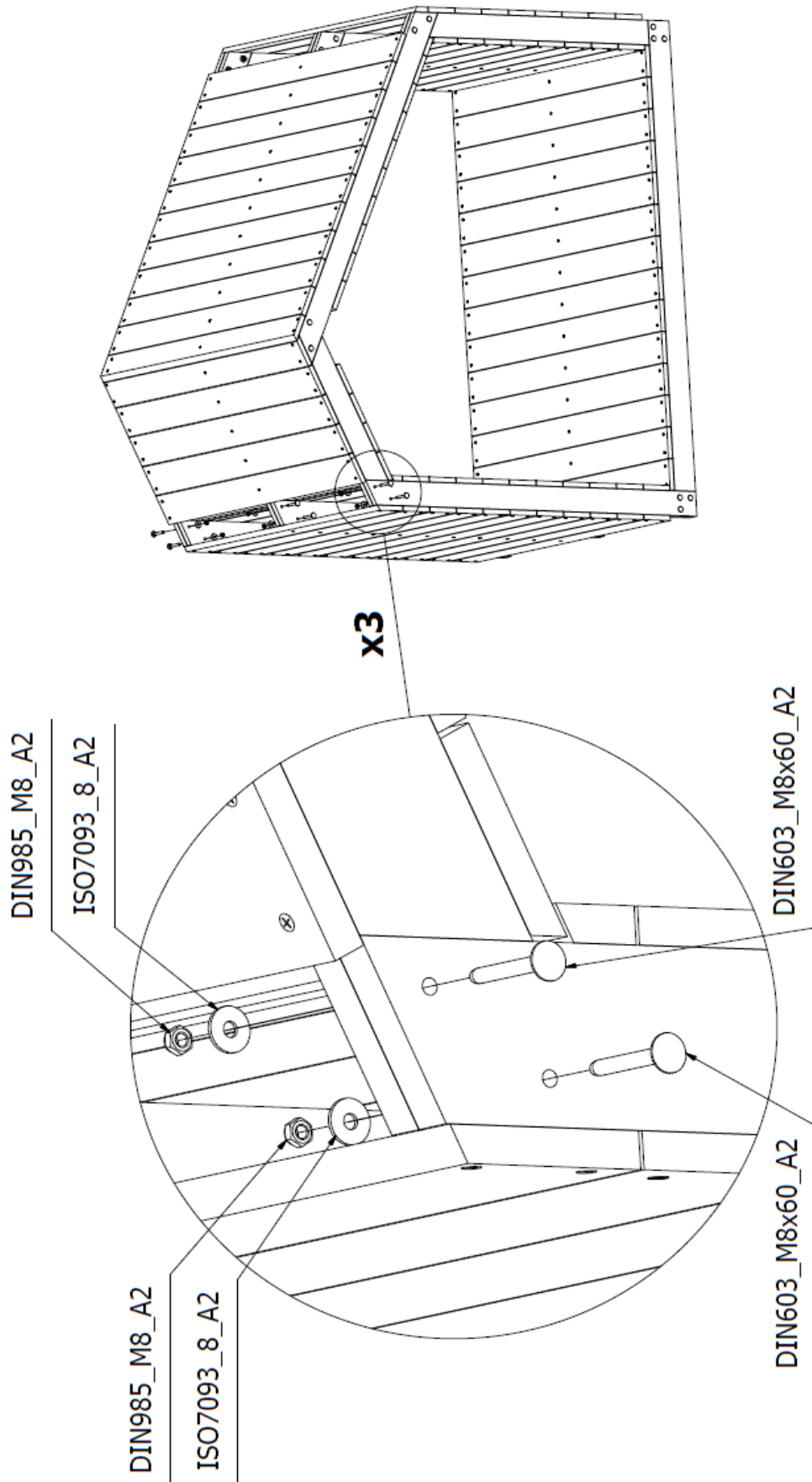
DIN985_M8_A2	6
DIN603_M8x60_A2	6
3368_007	1
3368_006	1
ISO7093_8_A2	6



DIN985_M8_A2	6
DIN603_M8x60_A2	6
ISO7093_8_A2	6



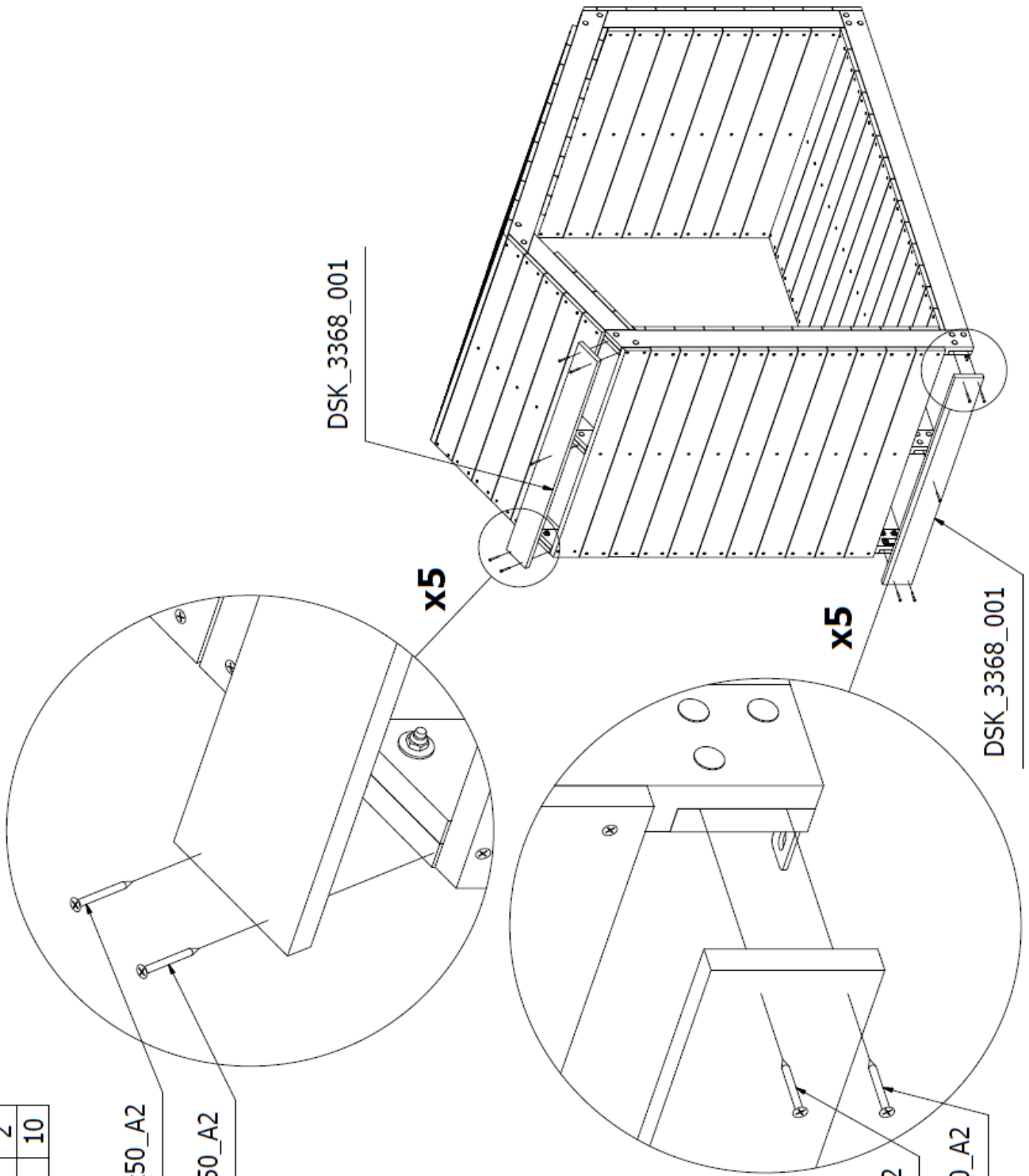
DIN985 M8 A2	6
DIN603 M8x60 A2	6
ISO7093 8 A2	6



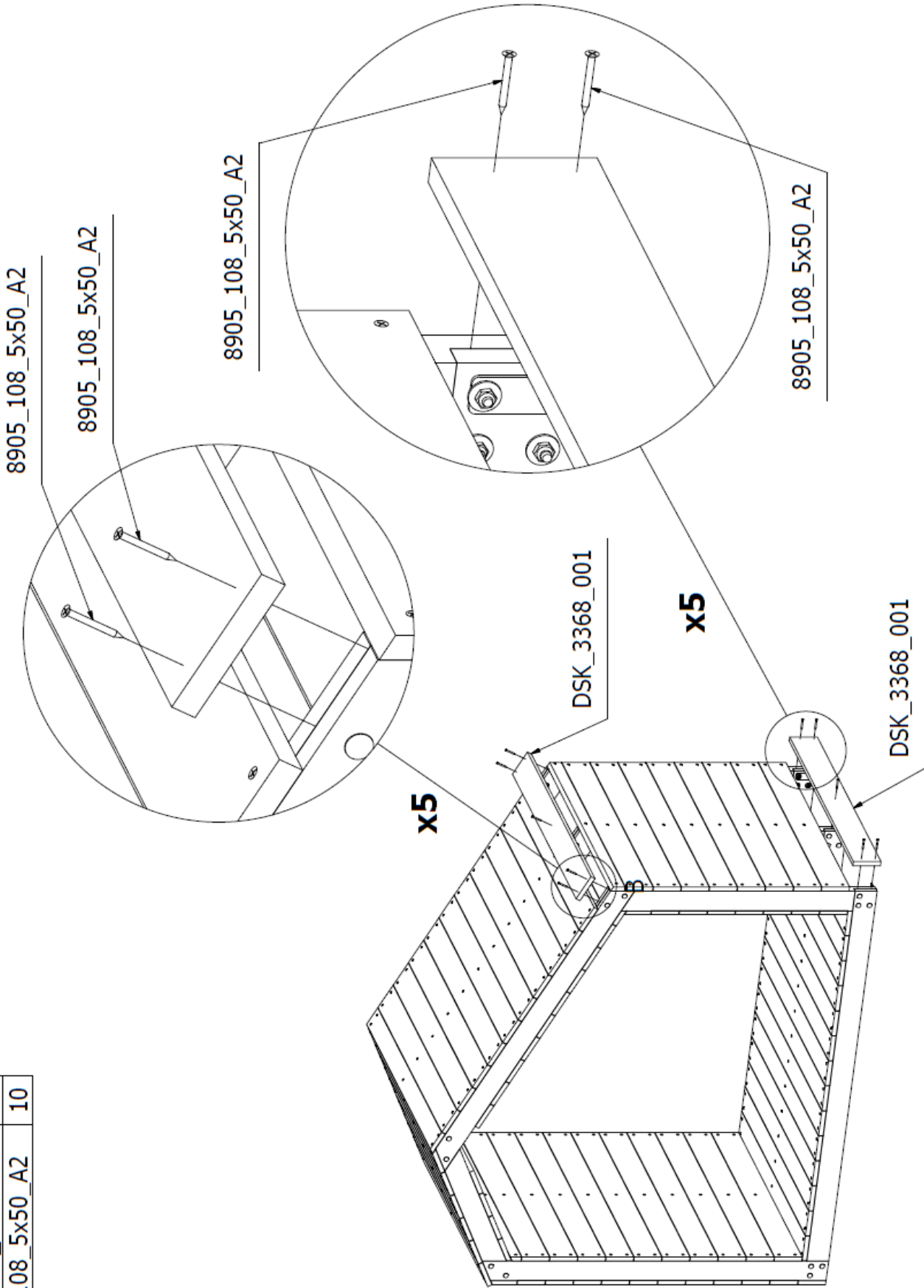
DSK_3368_001	2
8905_108_5x50_A2	10

8905_108_5x50_A2
8905_108_5x50_A2

8905_108_5x50_A2
8905_108_5x50_A2



DSK_3368_001	2
8905_108_5x50_A2	10



DSK_3368_007	2
8905_108_5x50_A2	10

