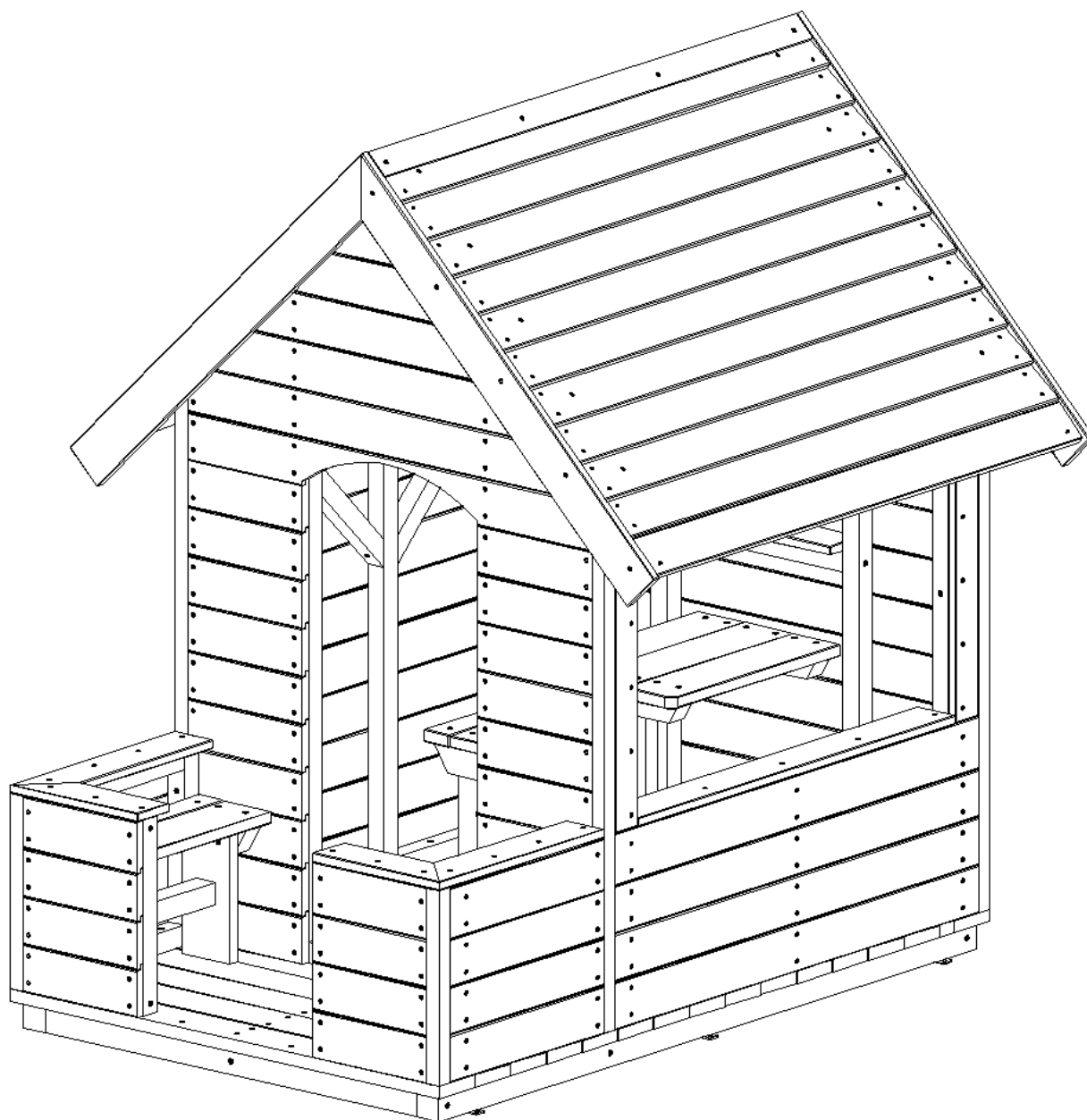
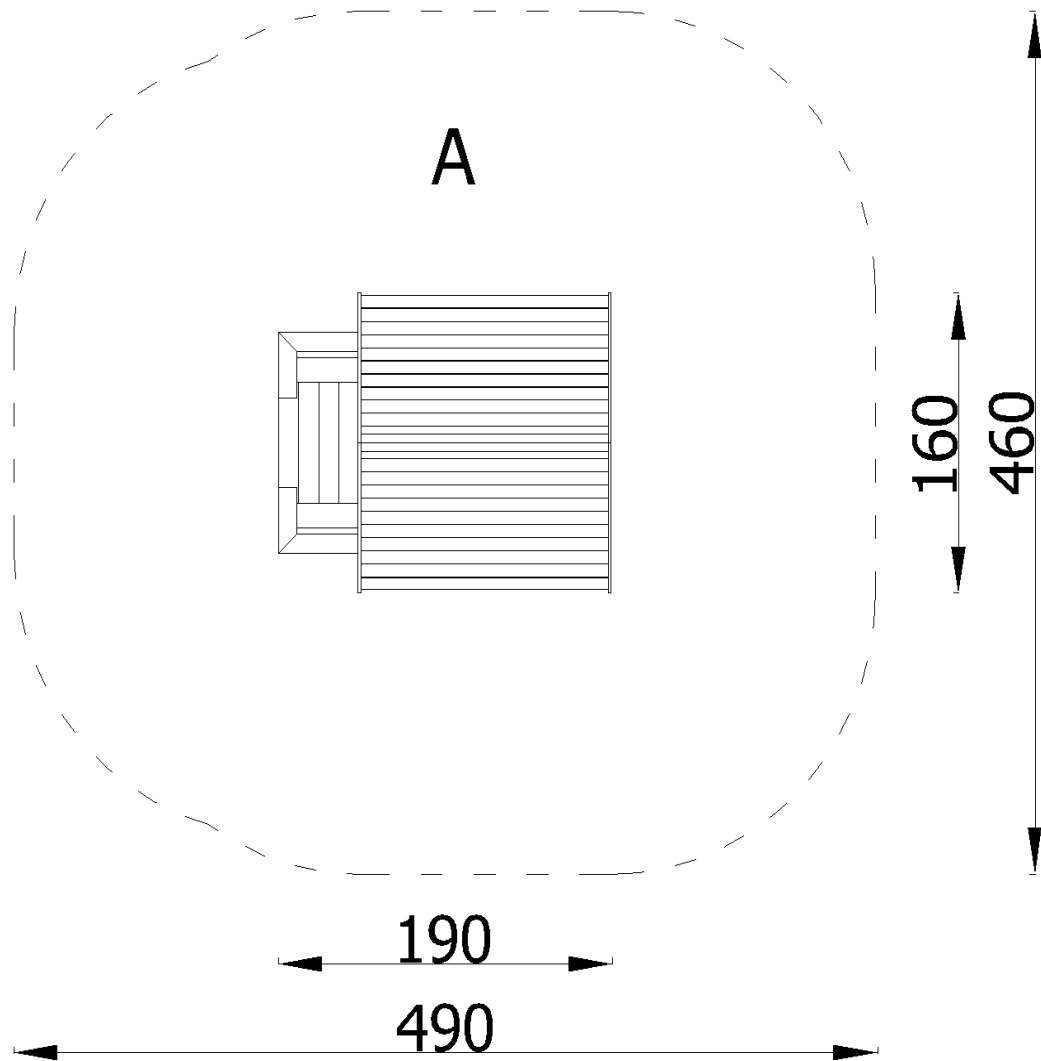


139269

Age of users	Number of users	Purpose of device	In accordance with the standard
0 - 7	5	for outdoor playing	PN-EN 1176-1:2017



Installation in accordance with the land development plan.

Safe surface

Zone	Max. fall height	Surface area	Perimeter security zone
A	0,61 m	20,00 m ²	16,10 m
B	-	-	
C	-	-	

Safe surface

139269



Material

Min. layer thicknesses

h<0,6 m	Concrete Bituminous surfacing		
h<1 m	Topsoil Turf		
h<2 m	Bark	20÷80 mm	300
	Wood chips	5÷30 mm	
	Sand Gravel	0,25÷8 mm	
h<3 m	Bark	20÷80 mm	400
	Wood chips	5÷30 mm	
	Sand Gravel	0,25÷8 mm	
h<3 m	Synthetic granulates		acc. to the manufacturer's data

Foundation

139269



or

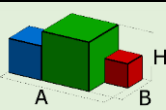
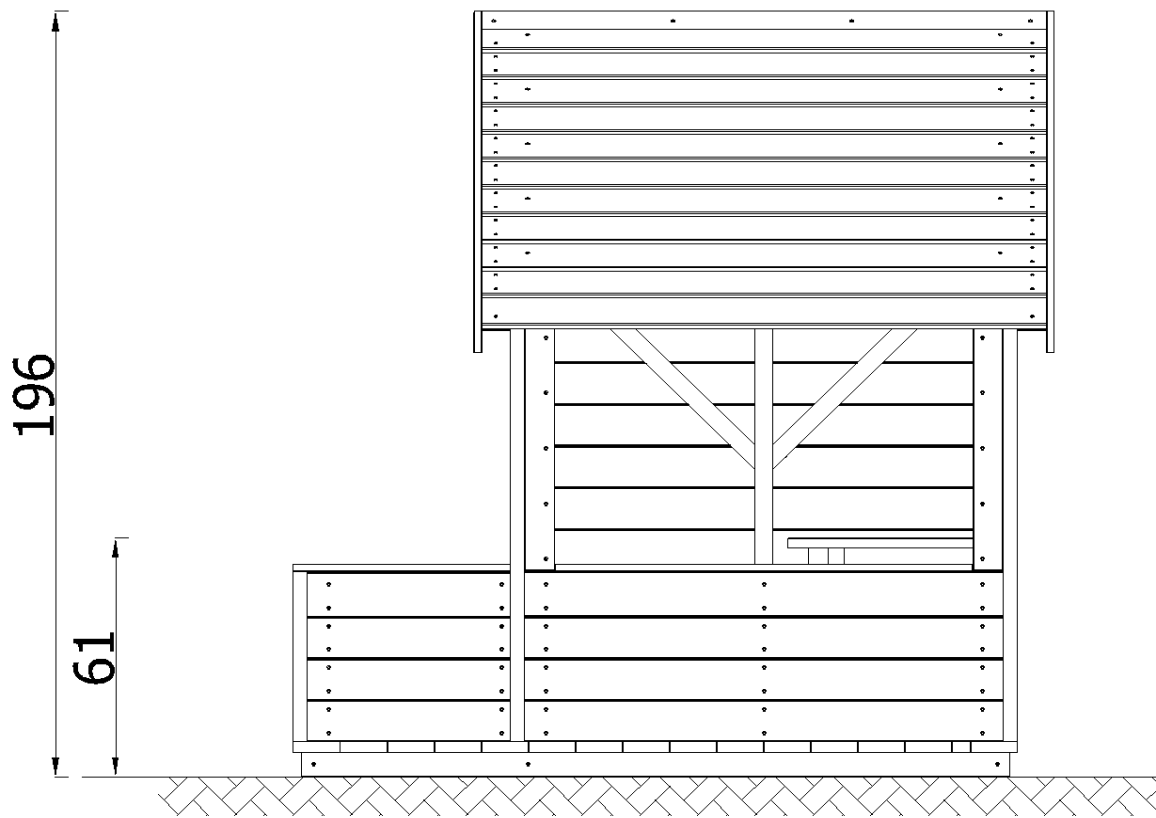


WARNING:

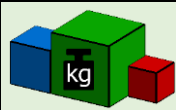
- Anchors mounted to a concrete slab with
dowels or chemical anchors!

Concrete: **C16/20** - 0,00 m³

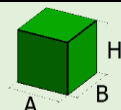
In order to control the foundations, remove the safe surface (sand, gravel, etc.)



1,9x1,6x1,96
(AxBxH) [m]



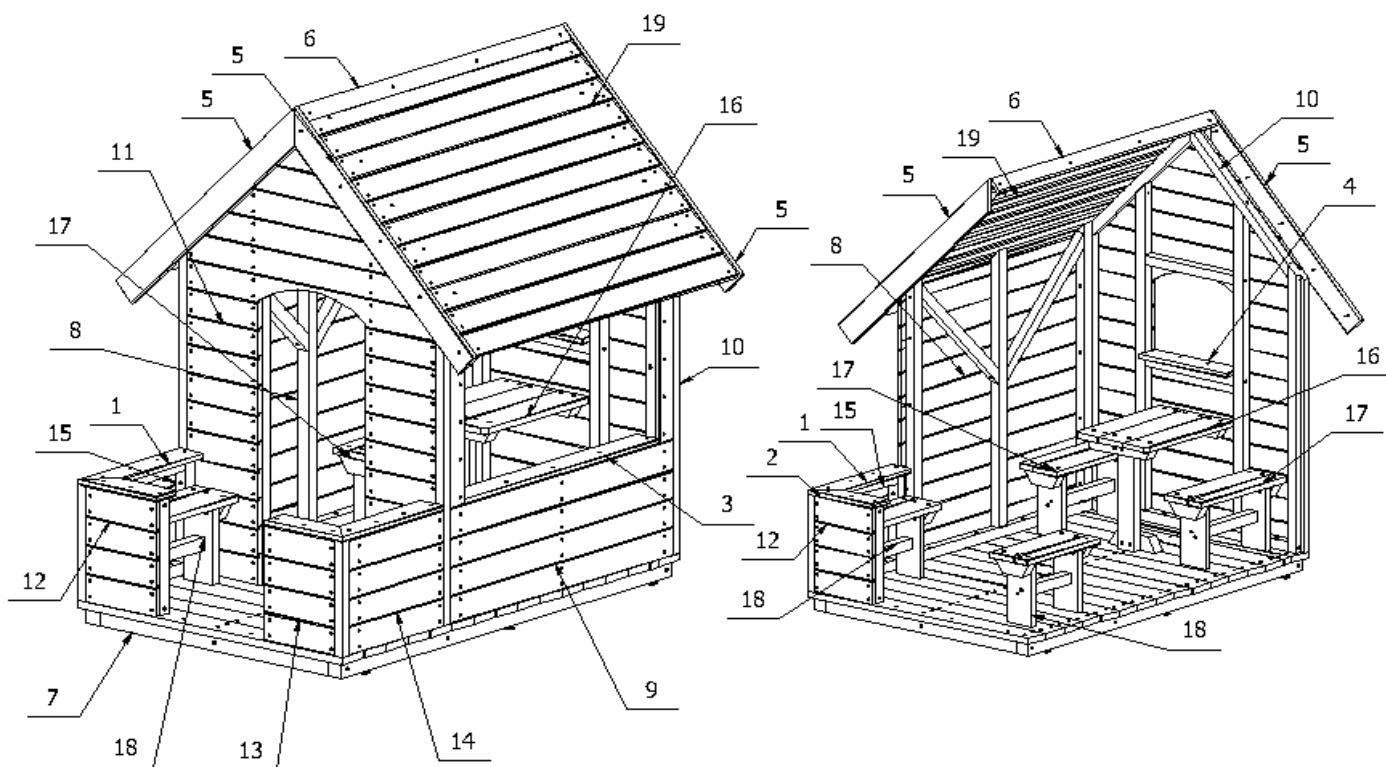
231 kg



(AxBxH) [m]



50 kg














Spare parts available from the manufacturer. Use thread glue in screw connections.

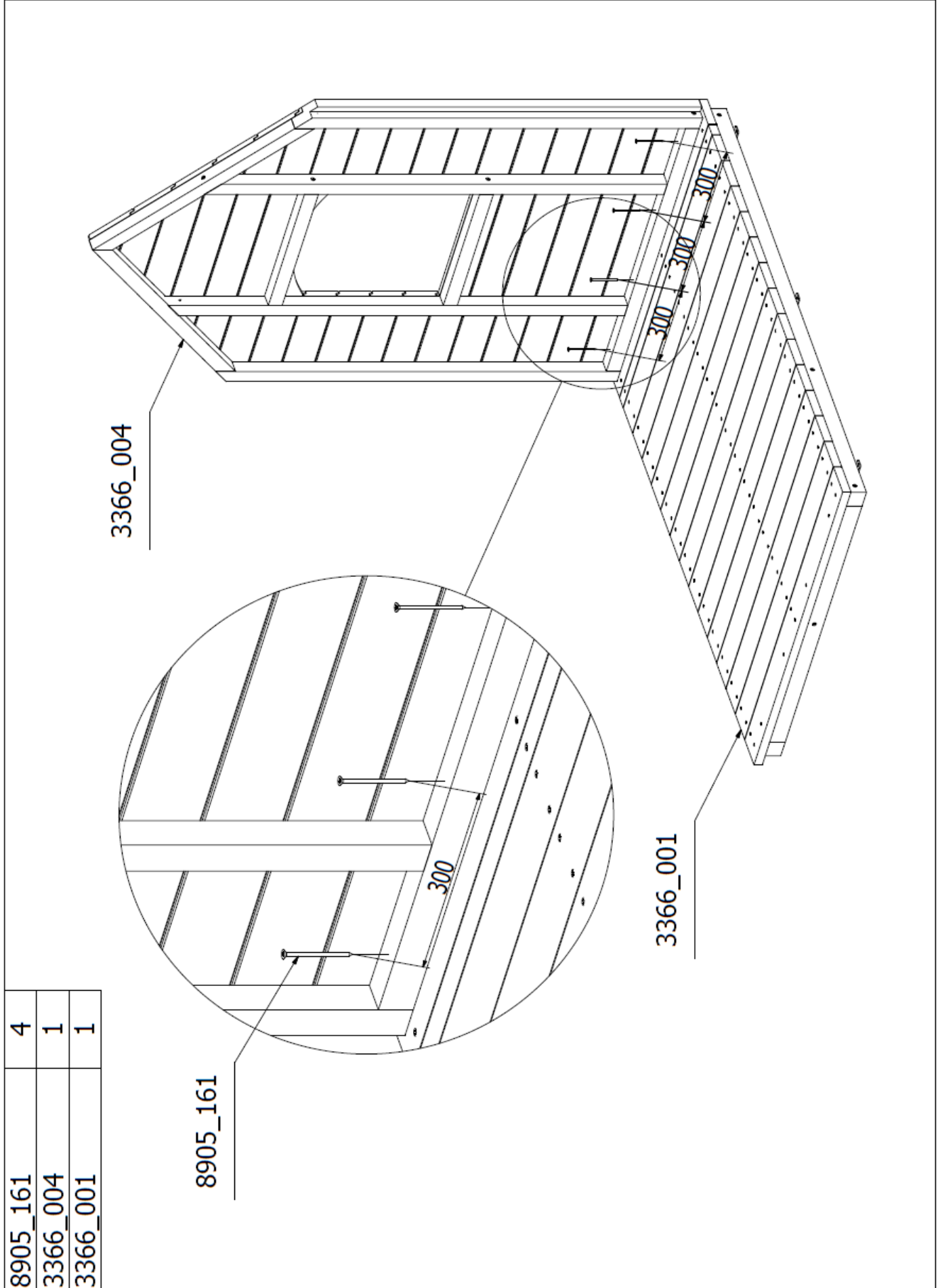
24	Torx washer screw 8x50	8905_004_A2	6
23	Plate 3x128x30	B_3300_001	6
22	Torx conical screw 6x90	8905_161	50
21	Torx countersunk wood screw 5x50	8905_163 - 5x50	46
20	Torx countersunk wood screw 5x40	8905_154 - 5x40	28
19	Roof	3366_013	2
18	Short bench	3366_012	2
17	Long bench	3366_011	2
16	Table	3366_010	1
15	Low side entrance wall on the left	3366_009	1
14	Right side low entrance wall	3366_008	1
13	Low entrance wall on the right	3366_007	1
12	Low entrance wall on the left	3366_006	1
11	Gable wall with entrance	3366_005	1
10	Gable wall with a window	3366_004	1
9	Side wall with a window	3366_003	1
8	Side wall	3366_002	1
7	Floor	3366_001	1
6	Board 65x65x1404	Q_3366_017	1
5	Board 105x20x1135	DSK_3366_015	4
4	Board 105x20x480	DSK_3366_013	1
3	Board 105x20x1040	DSK_3366_012	1
2	Board 105x20x350	DSK_3366_010	2
1	Board 105x20x540	DSK_3366_009	2
No.	Part name	Part No.	Quantity

Tools

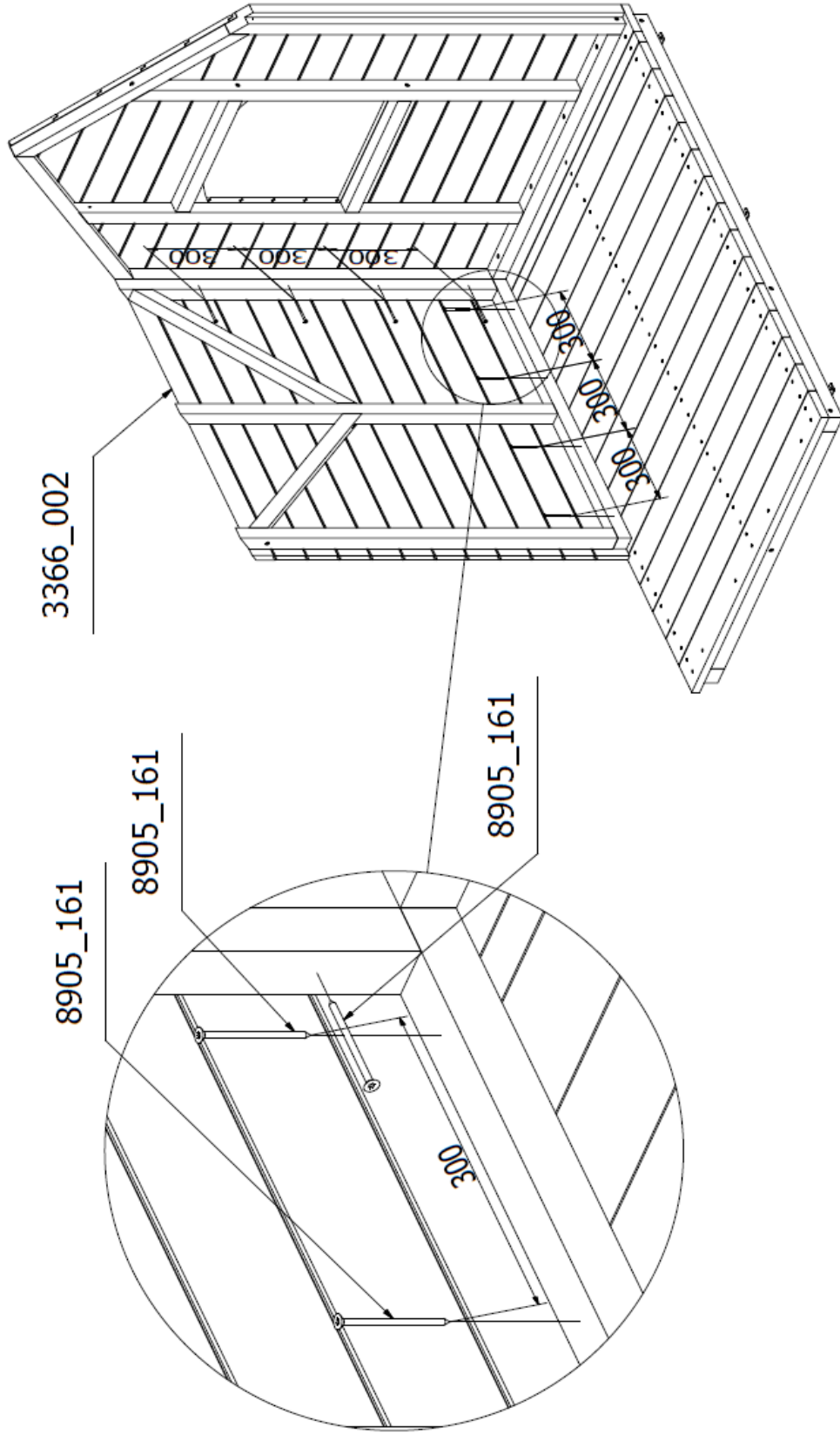
139269

															
								5 m	30 m						
															
2,5 m				60 cm	100 cm										
															
				7 mm								13 mm	17 mm	19 mm	24 mm
															
13 mm	17 mm	19 mm	24 mm	4 mm	5 mm	6 mm	8 mm	T40				T45			
															

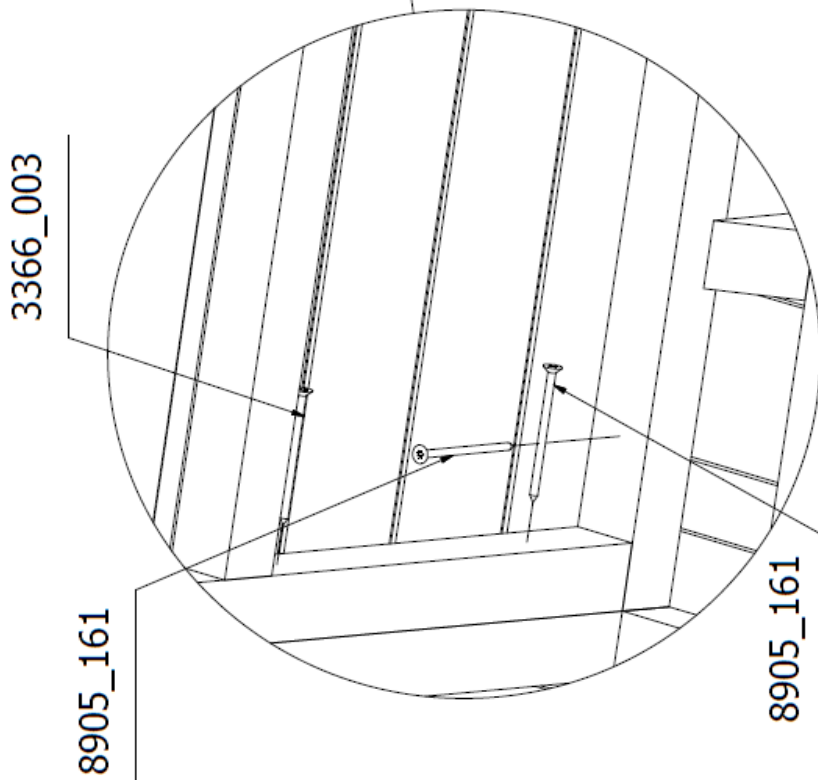
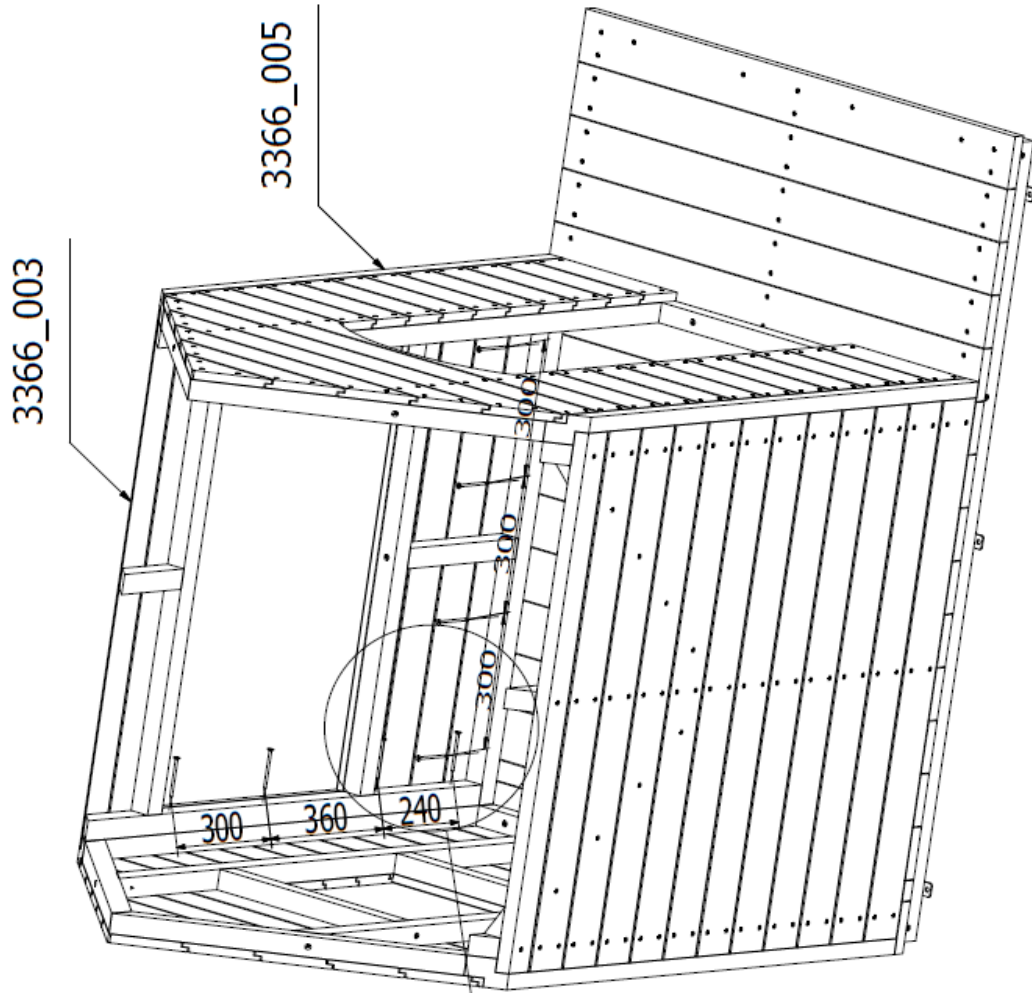
Attention
Before assembling the walls, the house platform should be anchored



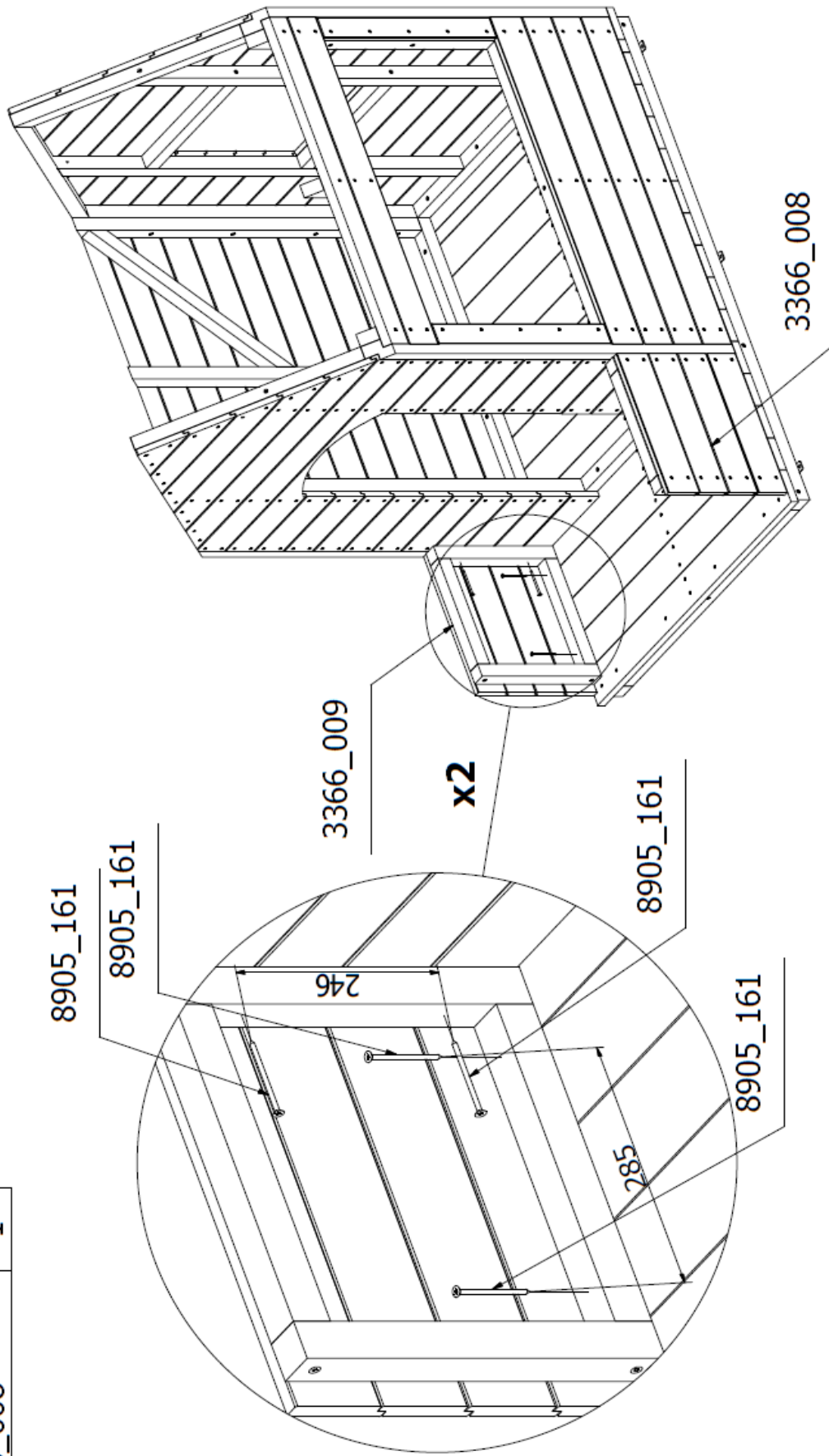
8905_161	8
3366_002	1



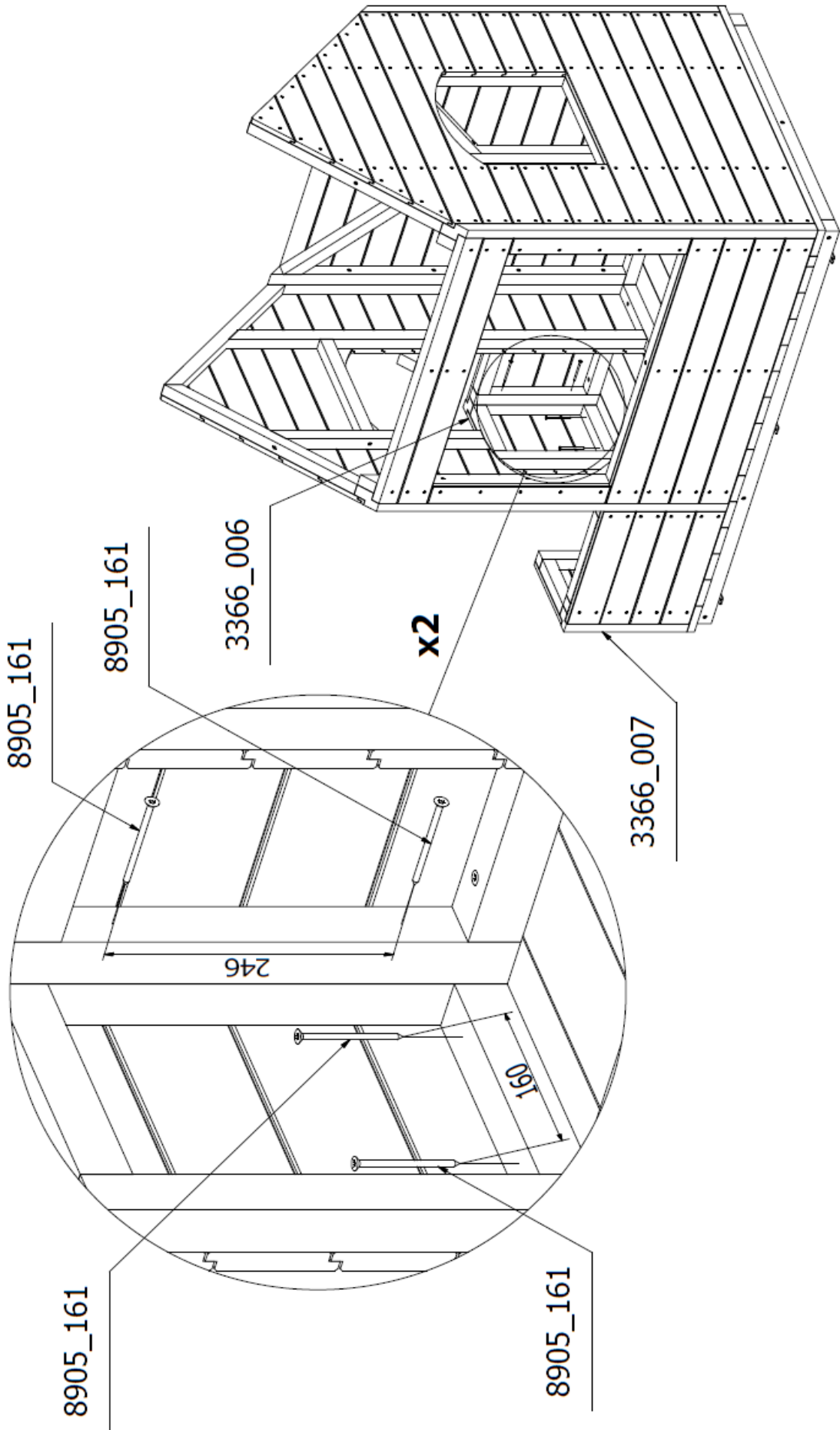
8905_161	8
3366_005	1
3366_003	1



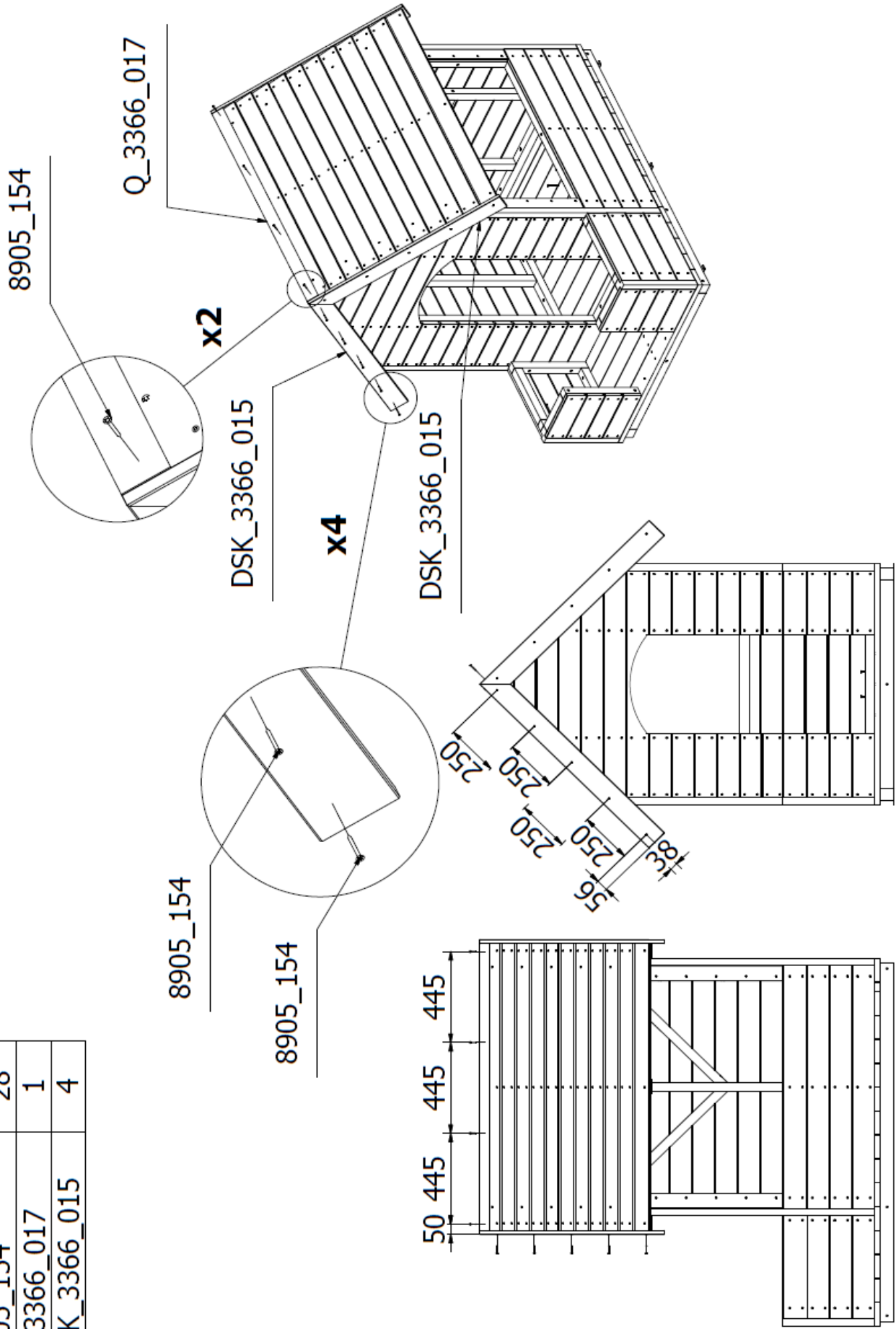
8905_161	8
3366_009	1
3366_008	1



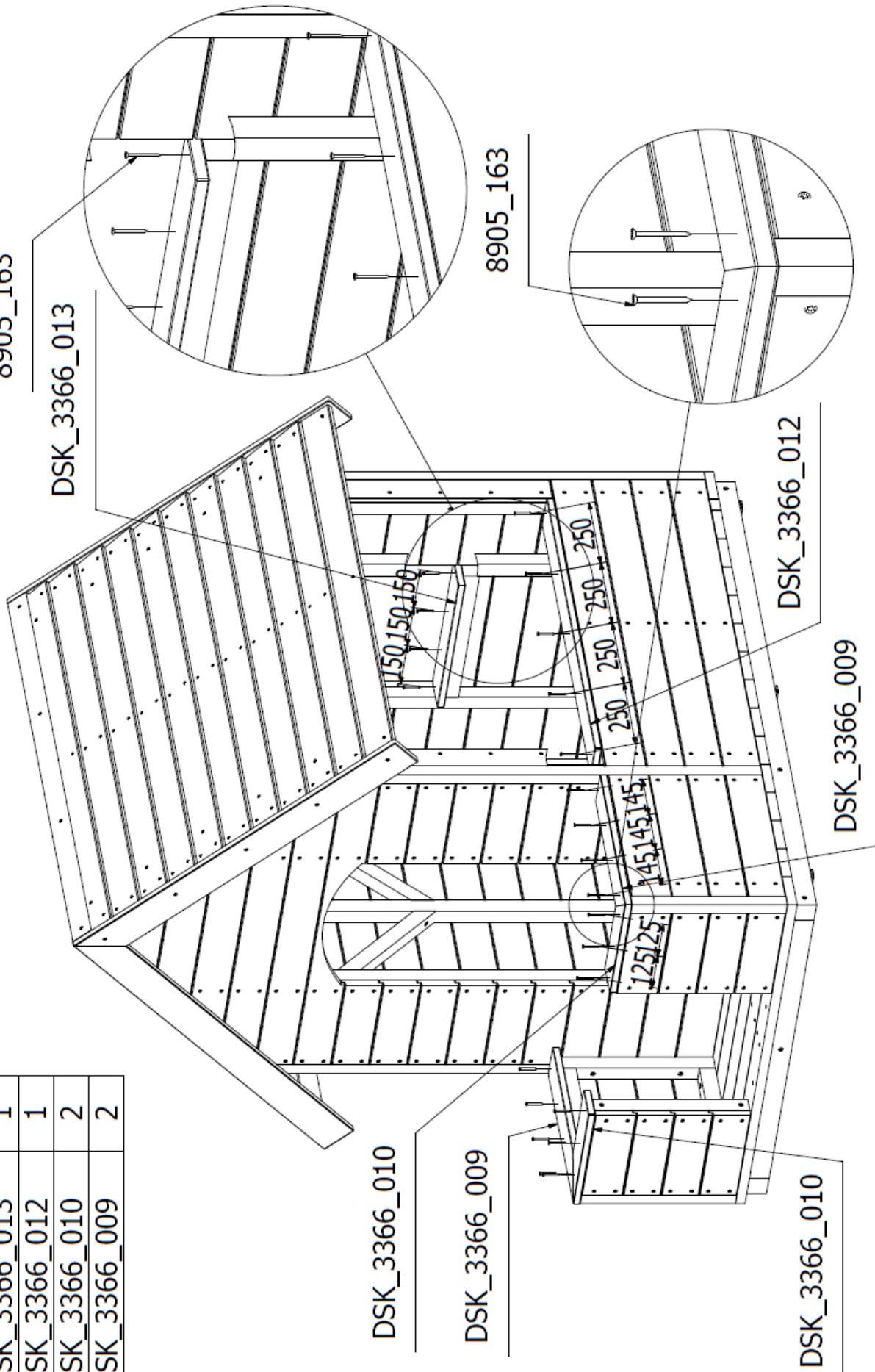
8905_161	8
3366_007	1
3366_006	1



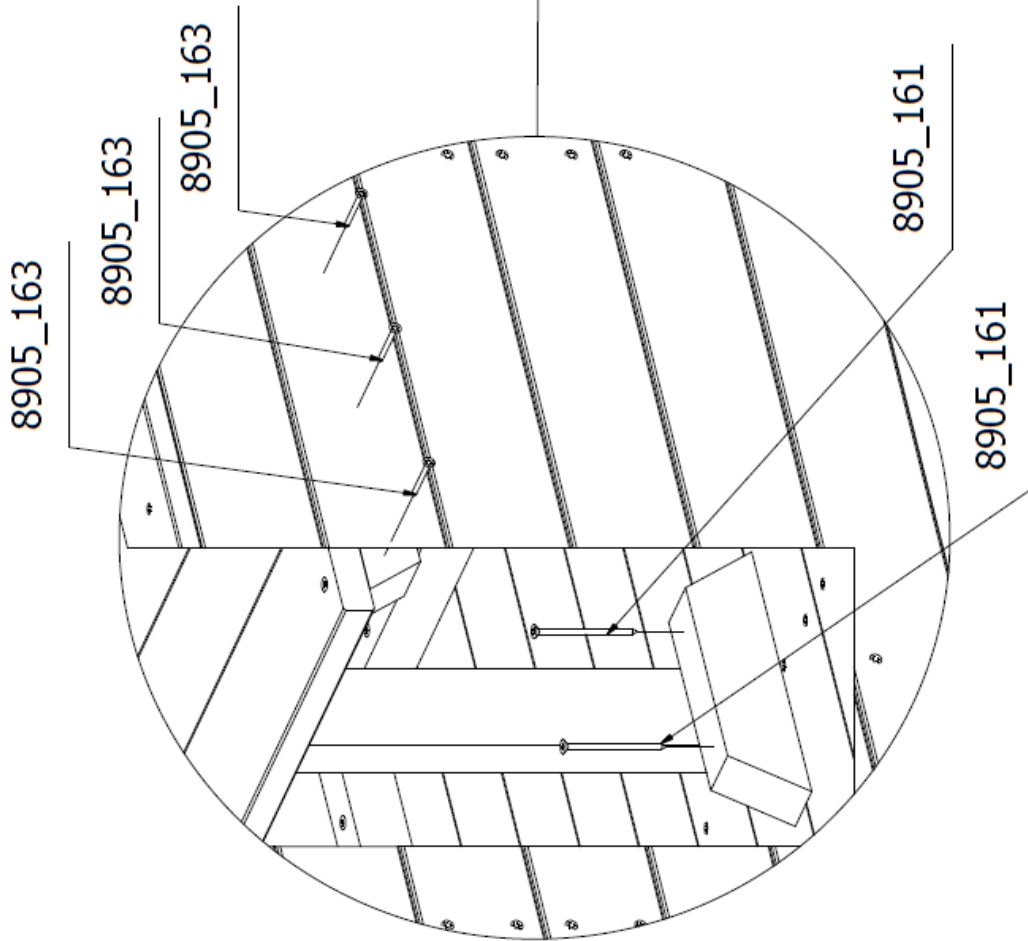
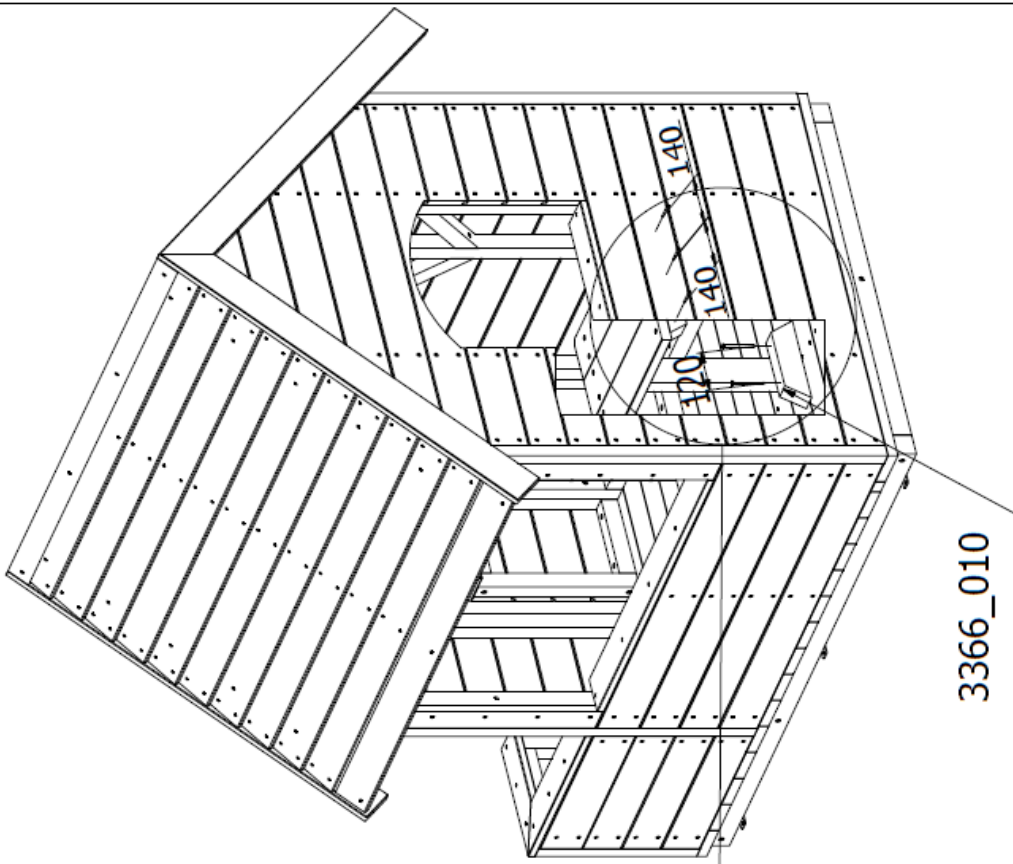
8905_154	28
Q_3366_017	1
DSK_3366_015	4



8905_163	23
DSK_3366_013	1
DSK_3366_012	1
DSK_3366_010	2
DSK_3366_009	2



8905_161	2
8905_163	3
3366_010	1



3366_012	2
3366_011	2
3366_010	1

