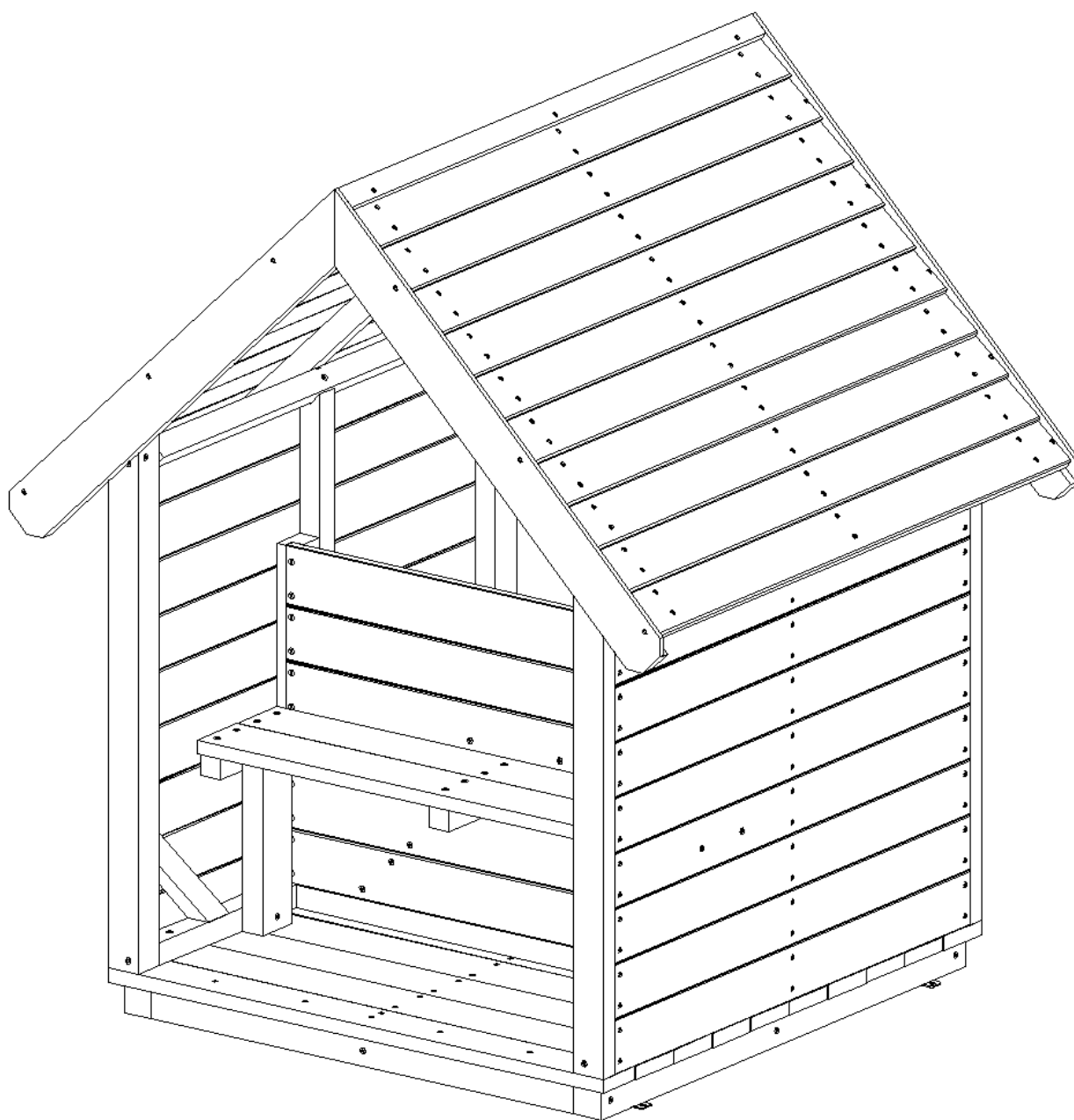
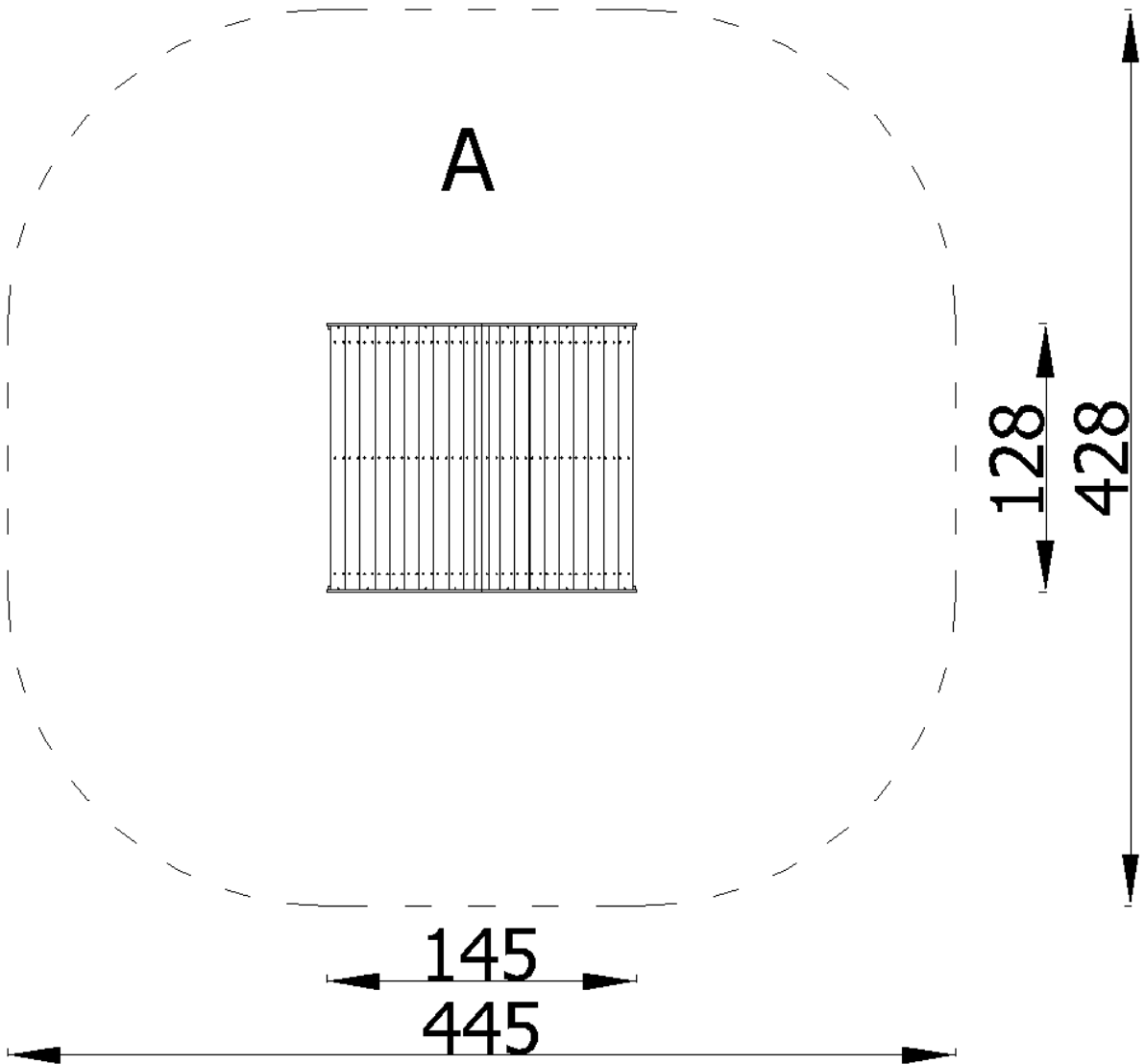


139268

Age of users	Number of users	Purpose of device	In accordance with the standard
0 - 7	4	for outdoor playing	PN-EN 1176-1:2017



Installation in accordance with the land development plan.

Safe surface

Zone	Max. fall height	Surface area	Perimeter security zone
A	0,78 m	17,00 m ²	15,00 m
B	-	-	
C	-	-	

Safe surface

139268



Material

Min. layer thicknesses

h<0,6 m	Concrete Bituminous surfacing		
h<1 m	Topsoil Turf		
h<2 m	Bark	20÷80 mm	300
	Wood chips	5÷30 mm	
	Sand Gravel	0,25÷8 mm	
h<3 m	Bark	20÷80 mm	400
	Wood chips	5÷30 mm	
	Sand Gravel	0,25÷8 mm	
h<3 m	Synthetic granulates		acc. to the manufacturer's data

Foundation

139268



or

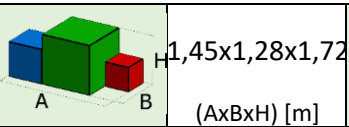
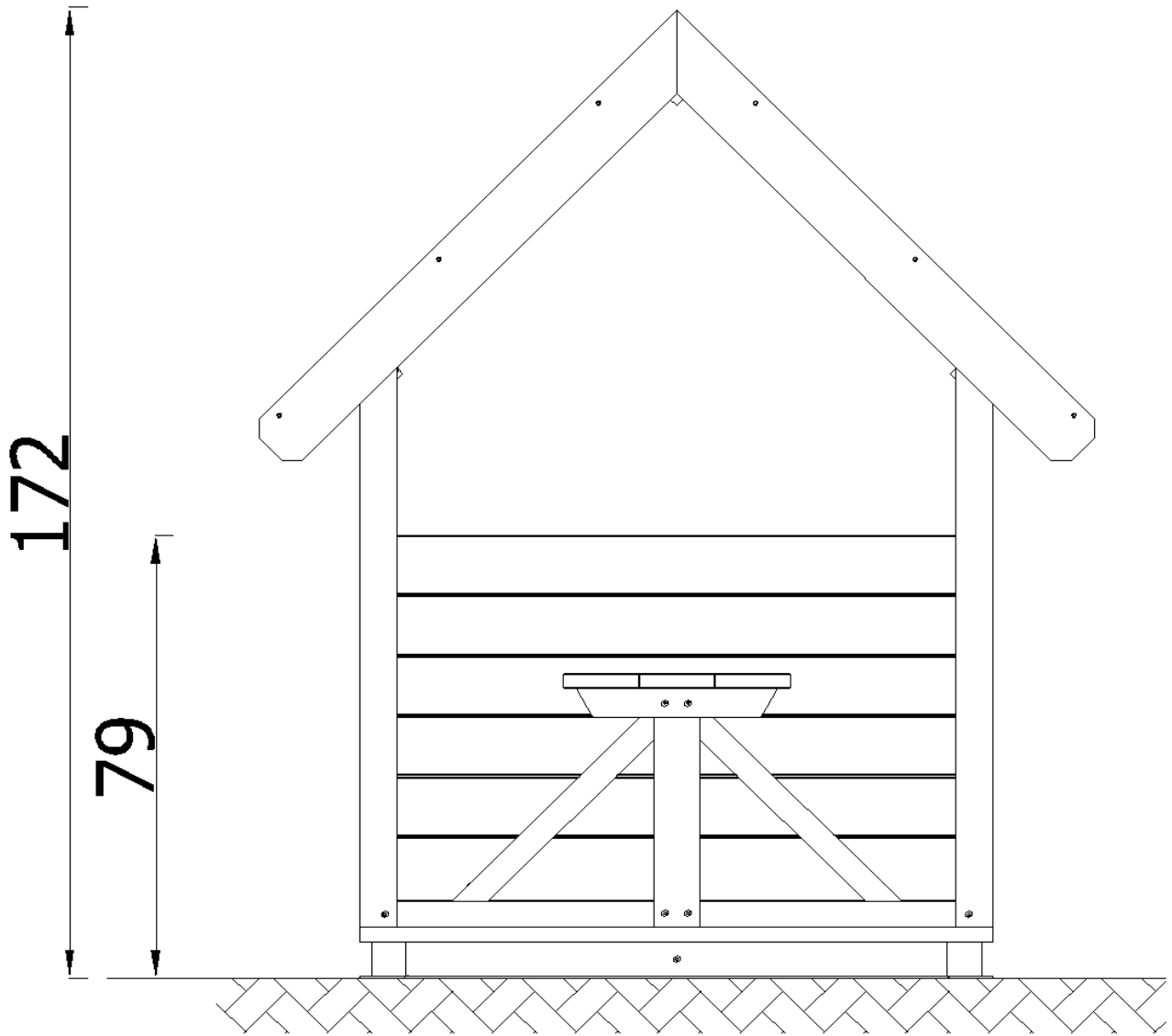


WARNING:

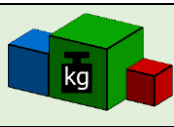
- Anchors mounted to a concrete slab with
dowels or chemical anchors!

Concrete: **C16/20 0,00 m³**

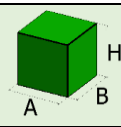
In order to control the foundations, remove the safe surface (sand, gravel, etc.)



1,45x1,28x1,72
(AxBxH) [m]



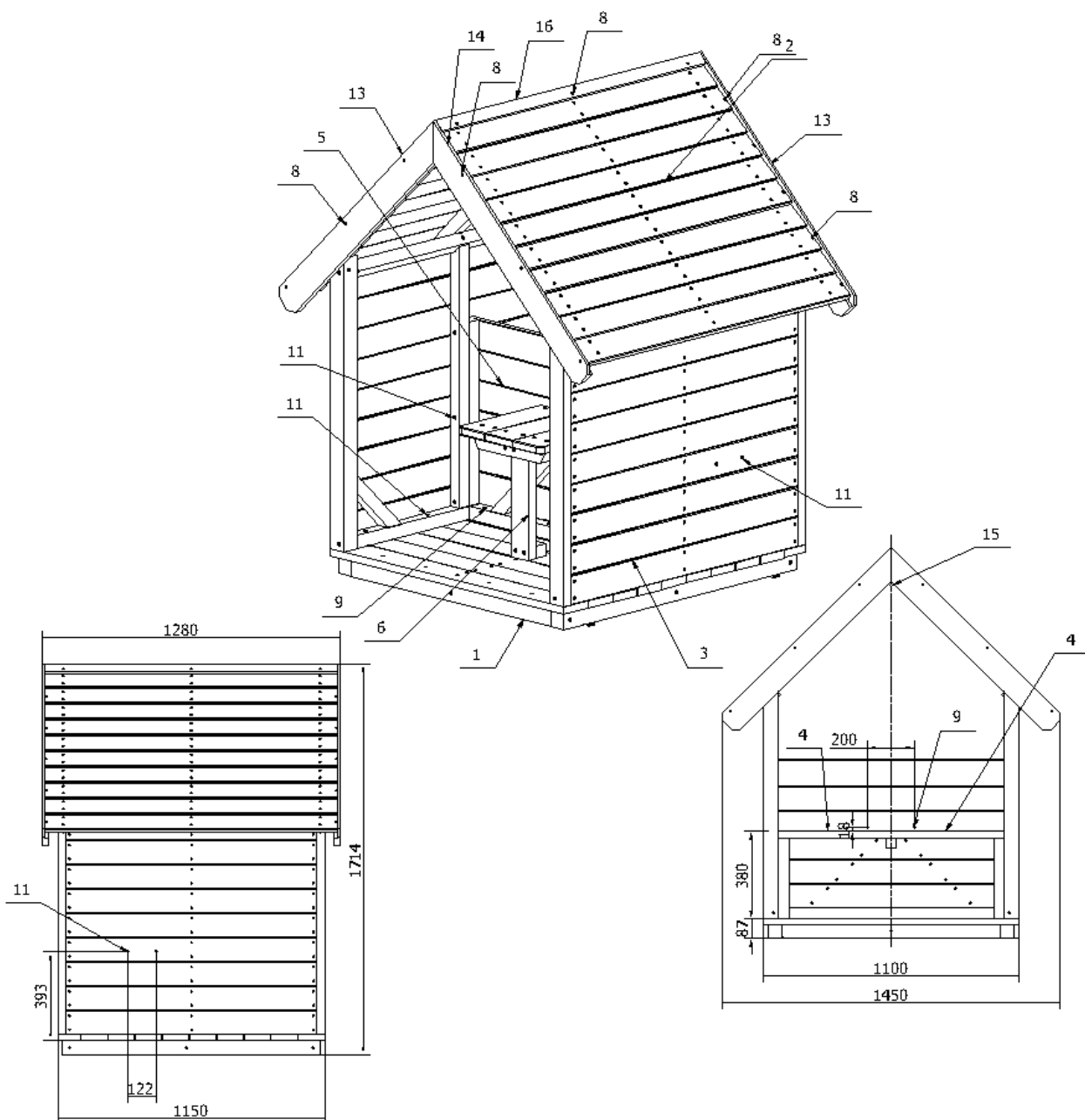
134 kg



(AxBxH) [m]



0 kg
















Spare parts available from the manufacturer. Use thread glue in screw connections.

16	Board 45x45x1260	Q_3369_011	1
15	Board 45x45x1220	Q_3369_010	1
14	Board 105x27x950	DSK_3370_001P	2
13	Board 105x27x1050	DSK_3370_001L	2
12	Sheet metal 3x128x30	B_3369_001	4
11	Torx 6x90 conical screw	8905_161	33
10	Torx 6x80 countersunk wood screw	8905_157_A2	2
9	Conical wood screw Torx 6x60_A2	8905_156	6
8	Torx 5x40 countersunk wood screw	8905_154 - 5X40_A2	38
7	Torx washer screw 8x50	8905_004_A2	4
6	Table	3370_005	1
5	A partition wall	3370_004	1
4	Bench	3370_003	1
3	Side wall	3370_002	2
2	Roof	3370_001	2
1	Floor	3369_001	1
Art. Nr.	Part name	Part No.	Quantity

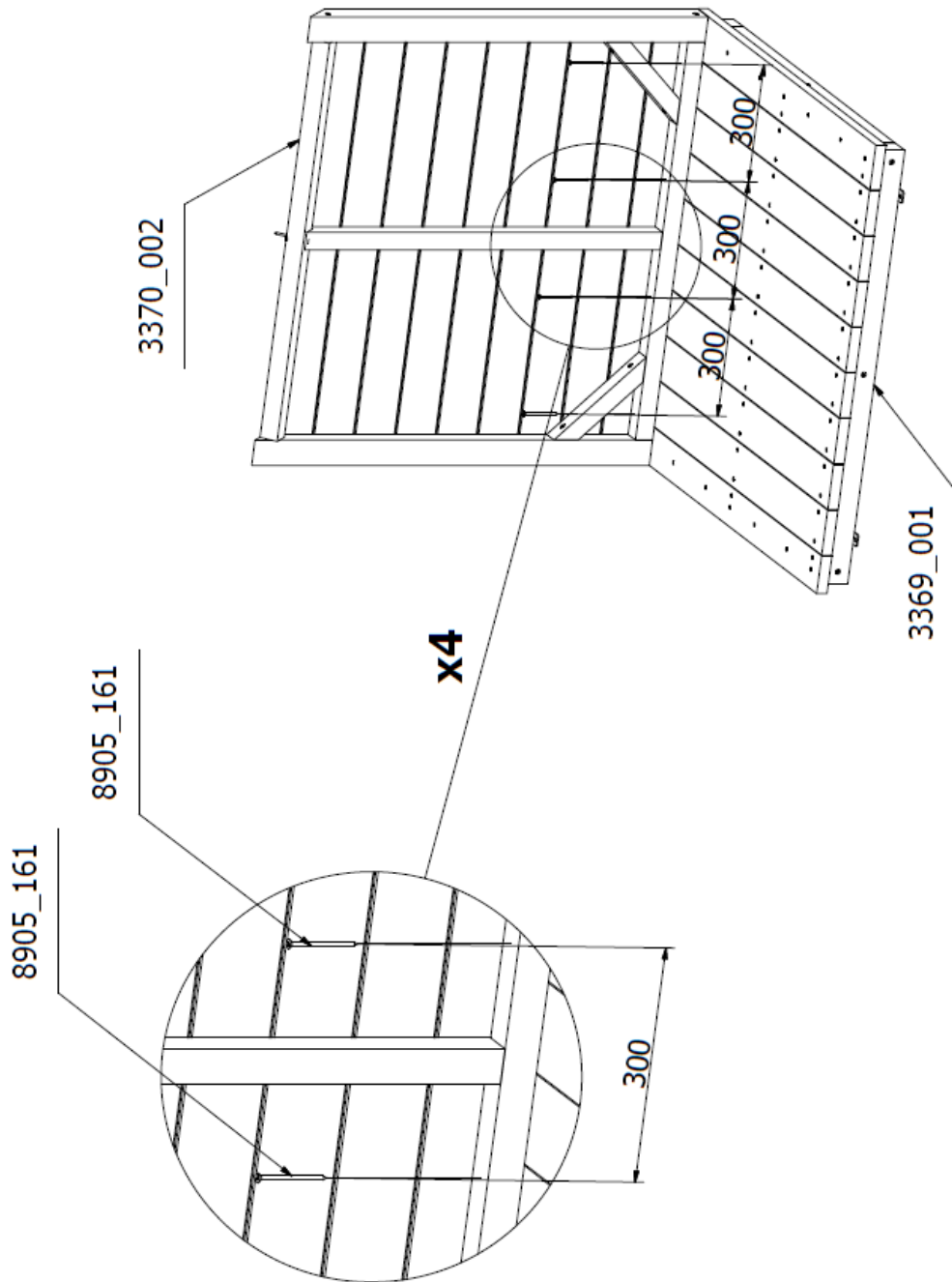
Tools

139268

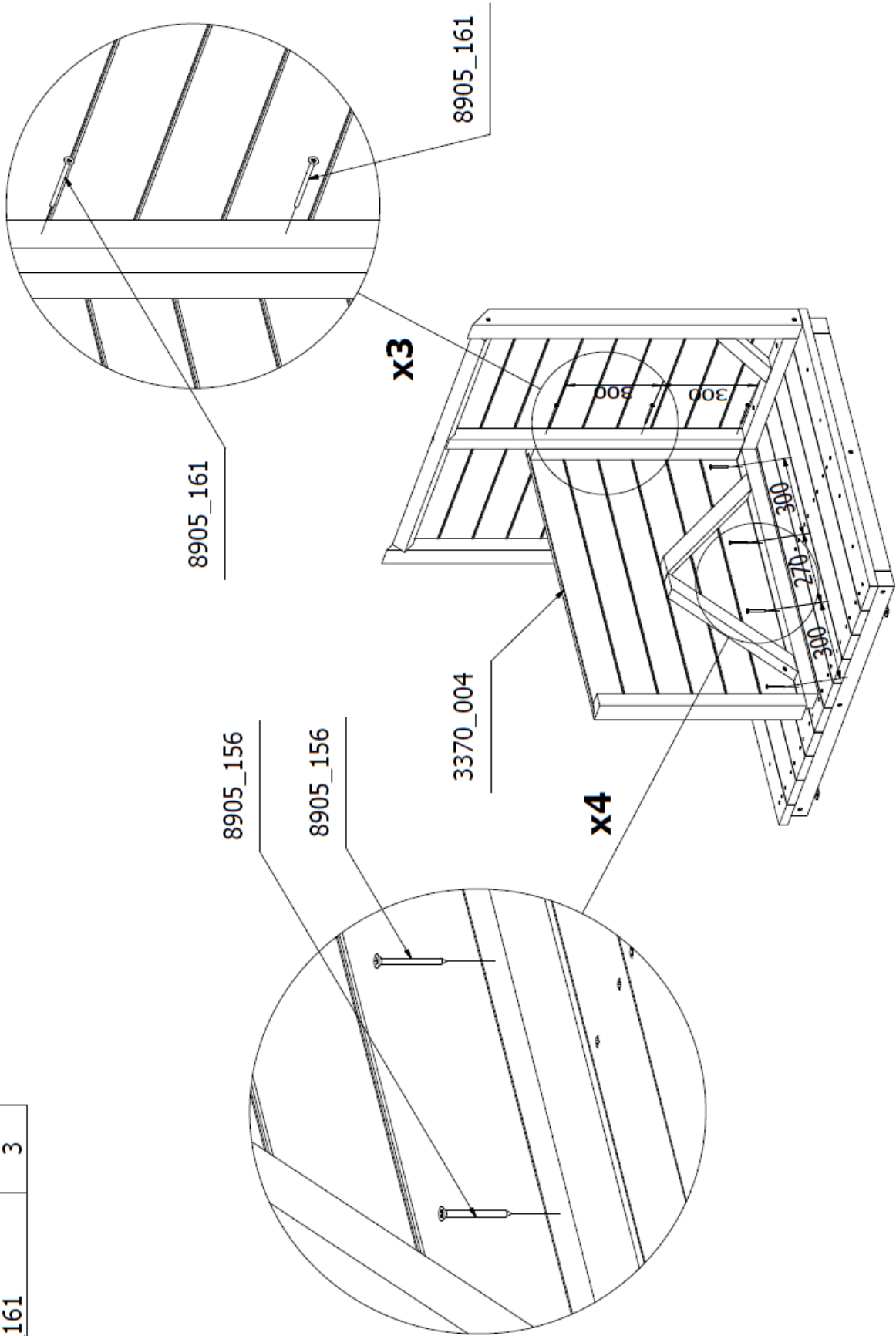
															
								5 m	30 m						
															
2,5 m				60 cm	100 cm										
															
				7 mm								13 mm	17 mm	19 mm	24 mm
															
13 mm	17 mm	19 mm	24 mm	4 mm	5 mm	6 mm	8 mm	T40				T45			
															

Attention
Before assembling the walls, the house platform should be anchored

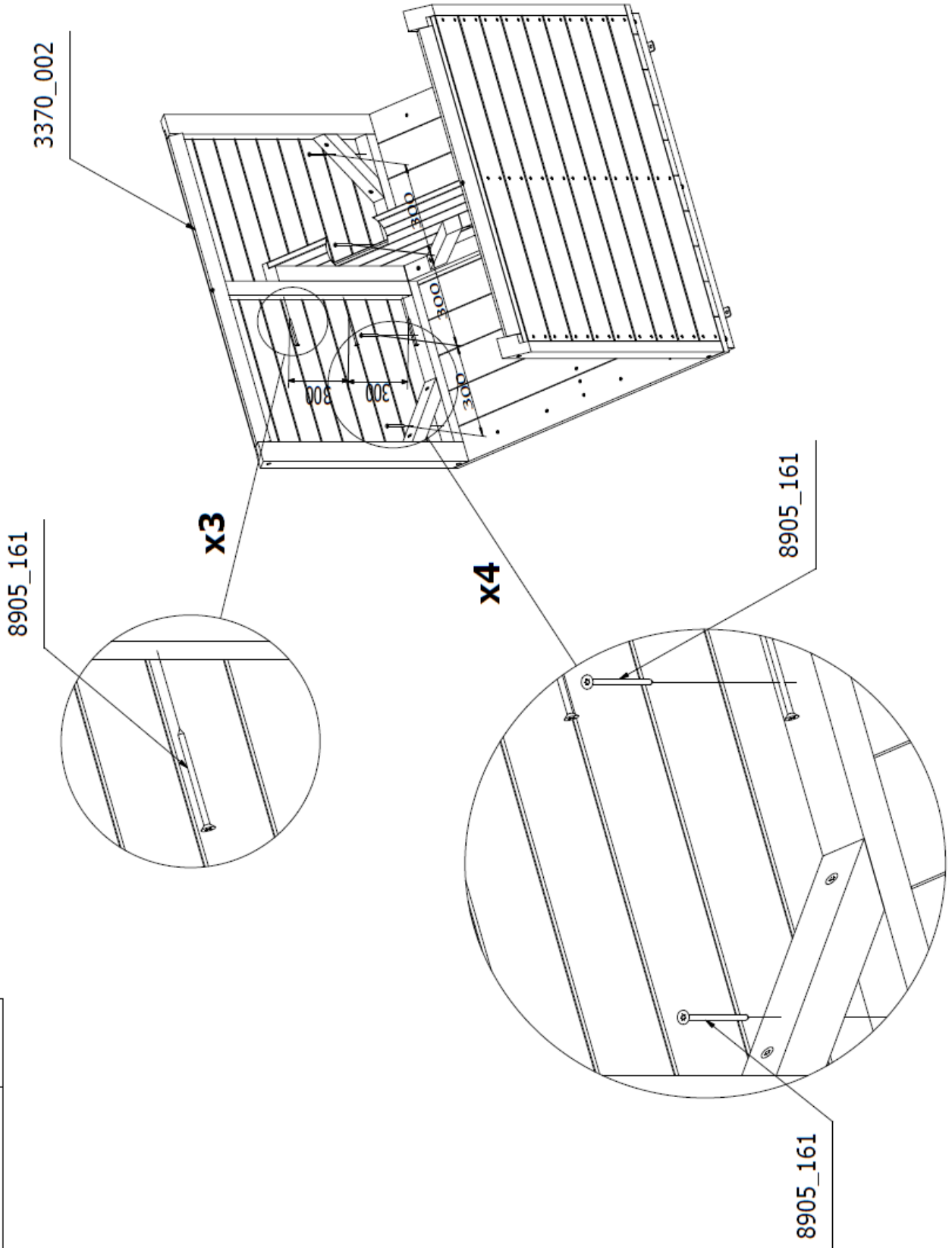
8905_161	4
3370_002	1
3369_001	1



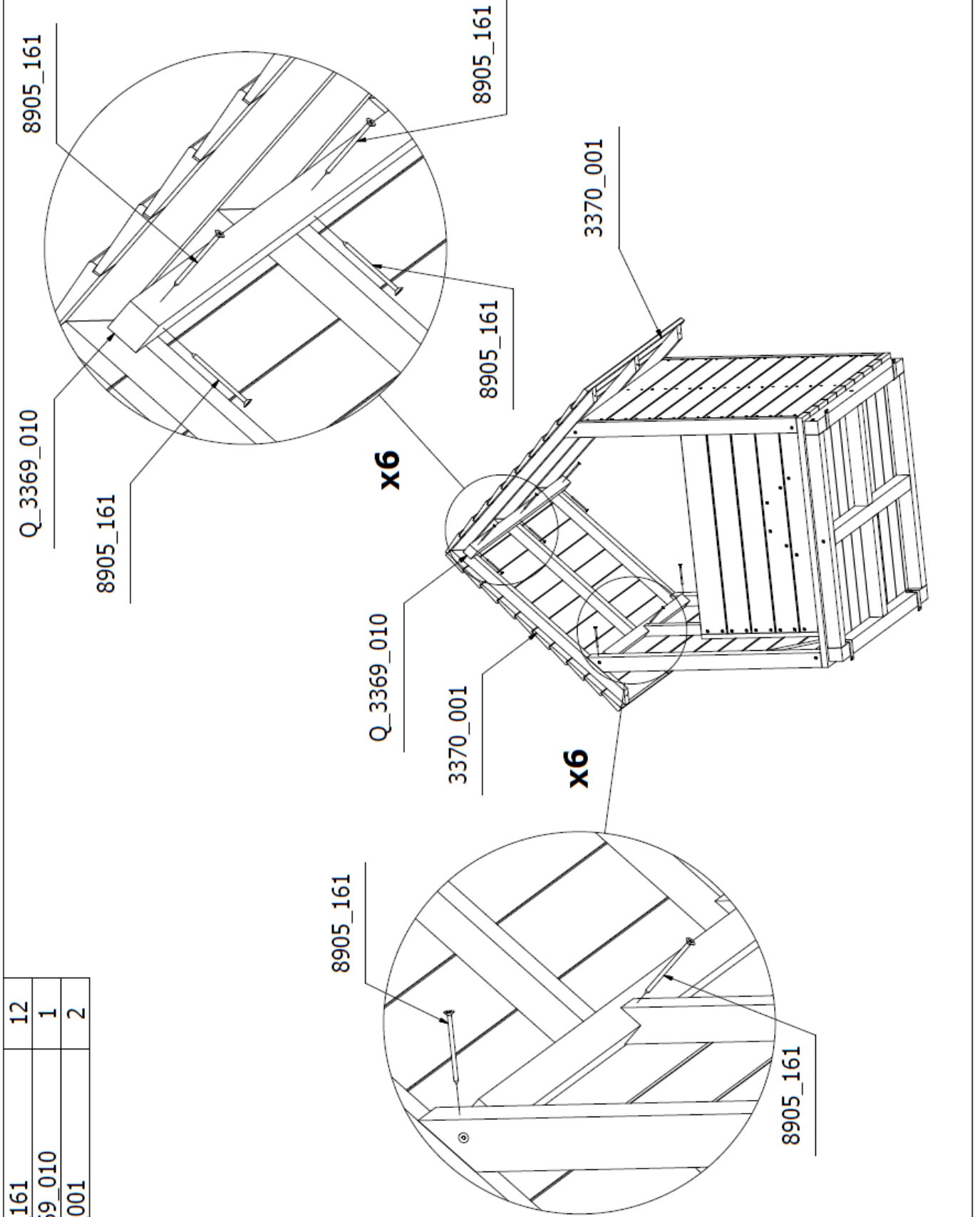
8905_156	4
3370_004	1
8905_161	3



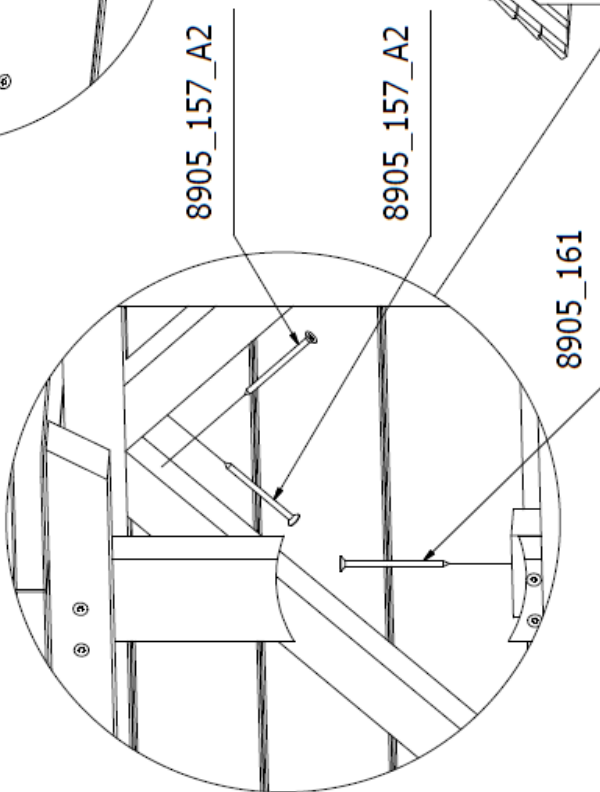
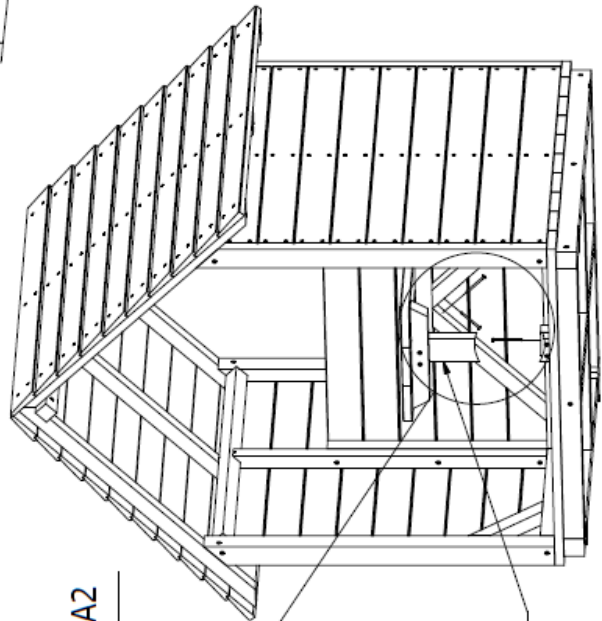
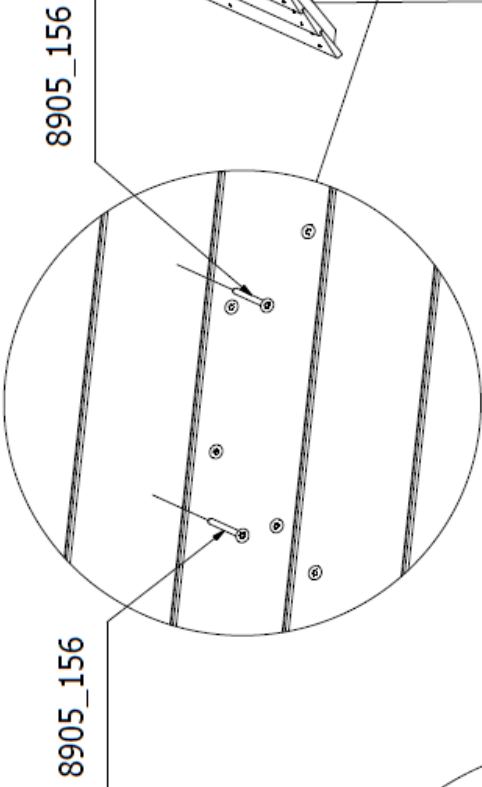
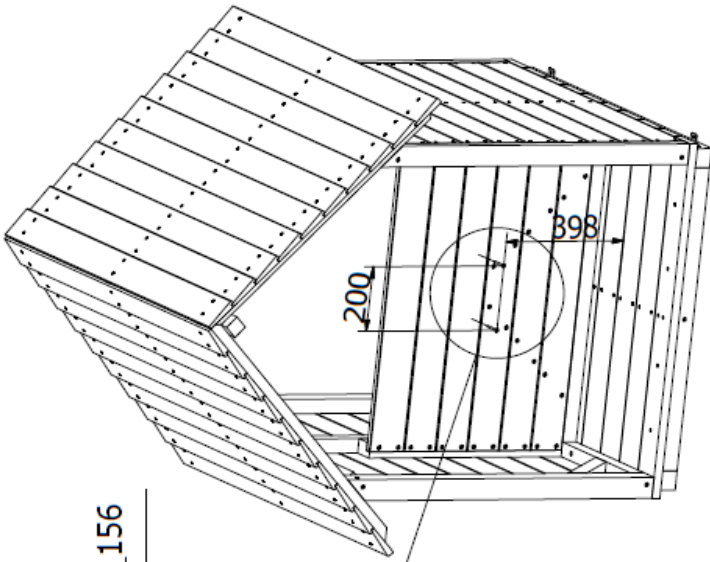
8905_161	7
3370_002	1



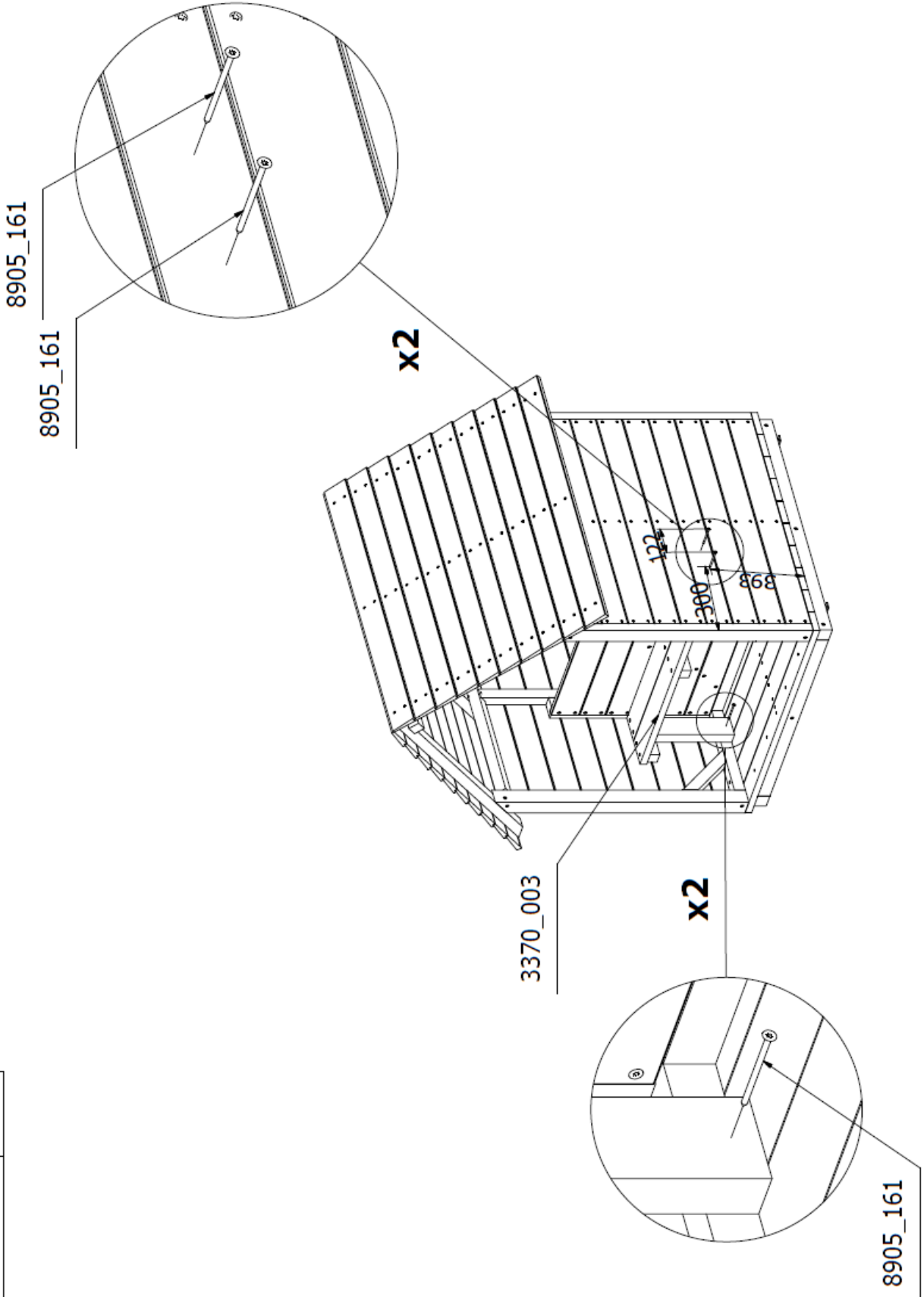
8905_161	12
Q_3369_010	1
3370_001	2



8905_157_A2	2
8905_156	2
3370_005	1
8905_161	1



8905_161	6
3370_003	1



DSK_3370_001P	2
8905_154 - 5X40_A2	38
Q_3369_011	1
DSK_3370_001L	2

