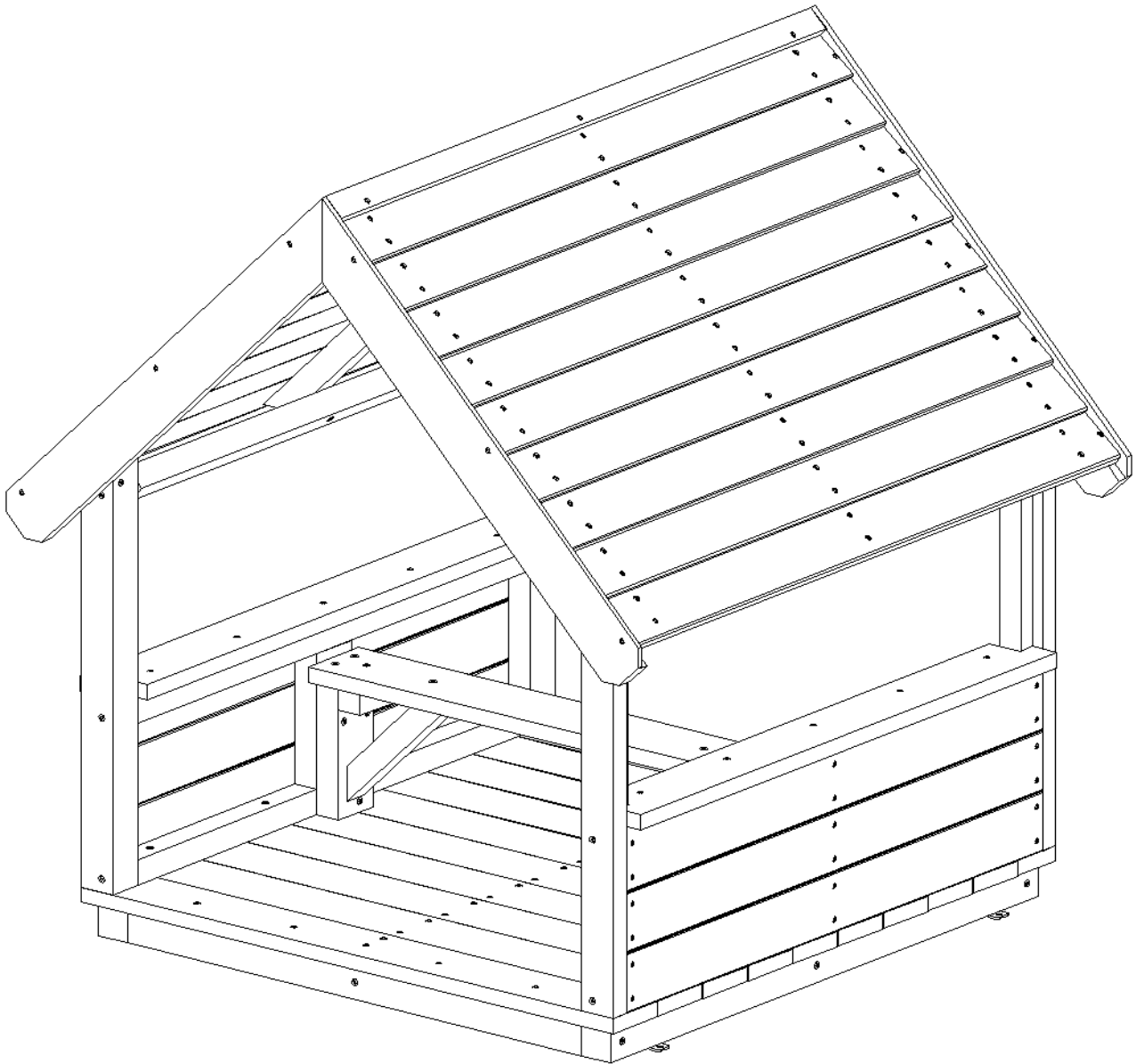
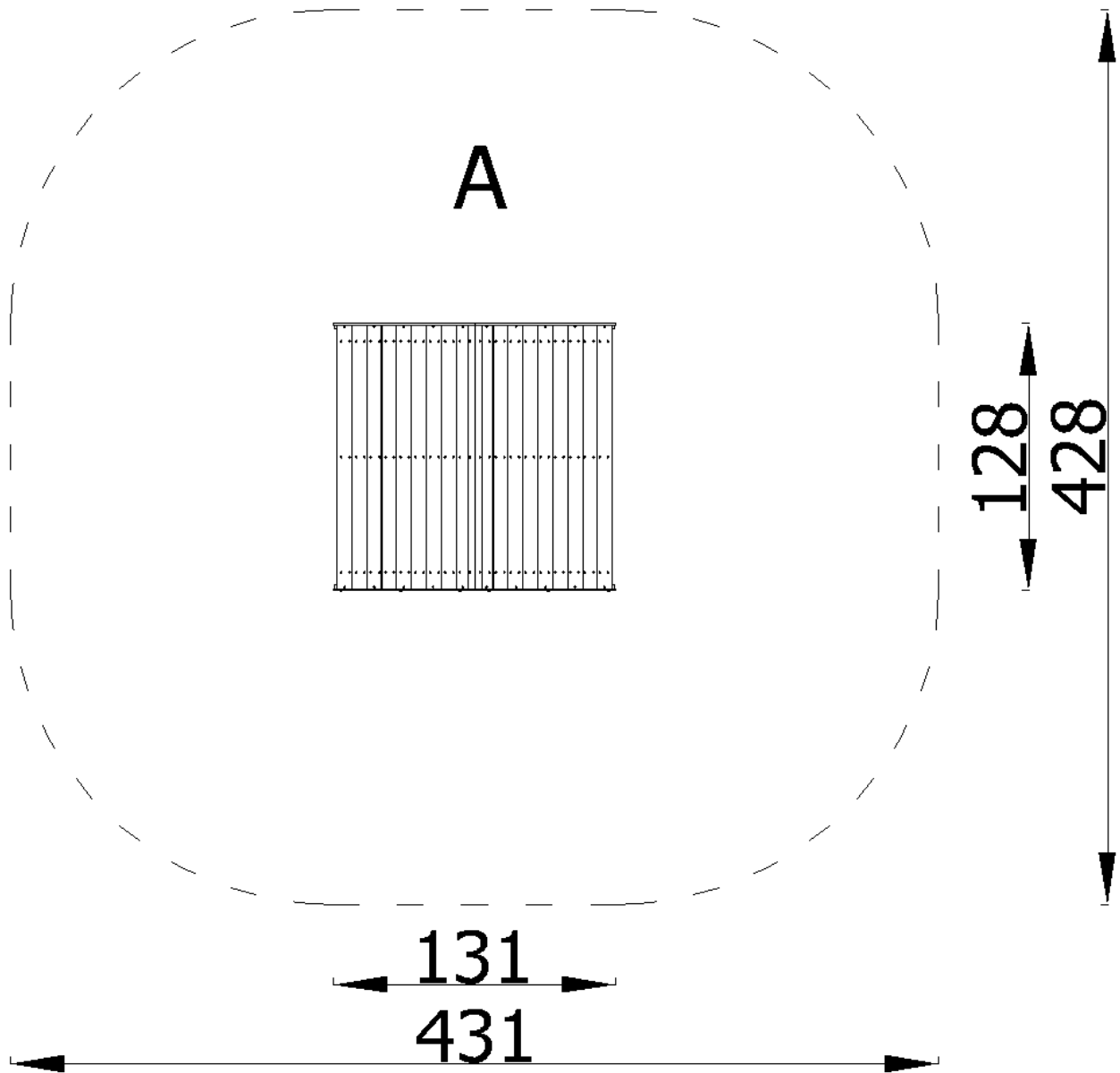


139267

Age of users	Number of users	Purpose of device	In accordance with the standard
0 - 7	4	for outdoor playing	PN-EN 1176-1:2017



Installation in accordance with the land development plan.

Safe surface

Zone	Max. fall height	Surface area	Perimeter security zone
A	0,45 m	16,50 m ²	14,60 m
B	-	-	
C	-	-	

Safe surface

139267



Material

Min. layer thicknesses

h<0,6 m

Concrete
Bituminous surfacing

h<1 m

Topsoil
Turf

h<2 m

Bark

20÷80 mm

Wood chips

5÷30 mm

Sand
Gravel

0,25÷8 mm

300

h<3 m

Bark

20÷80 mm

Wood chips

5÷30 mm

Sand
Gravel

0,25÷8 mm

400

h<3 m

Synthetic granulates

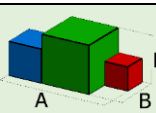
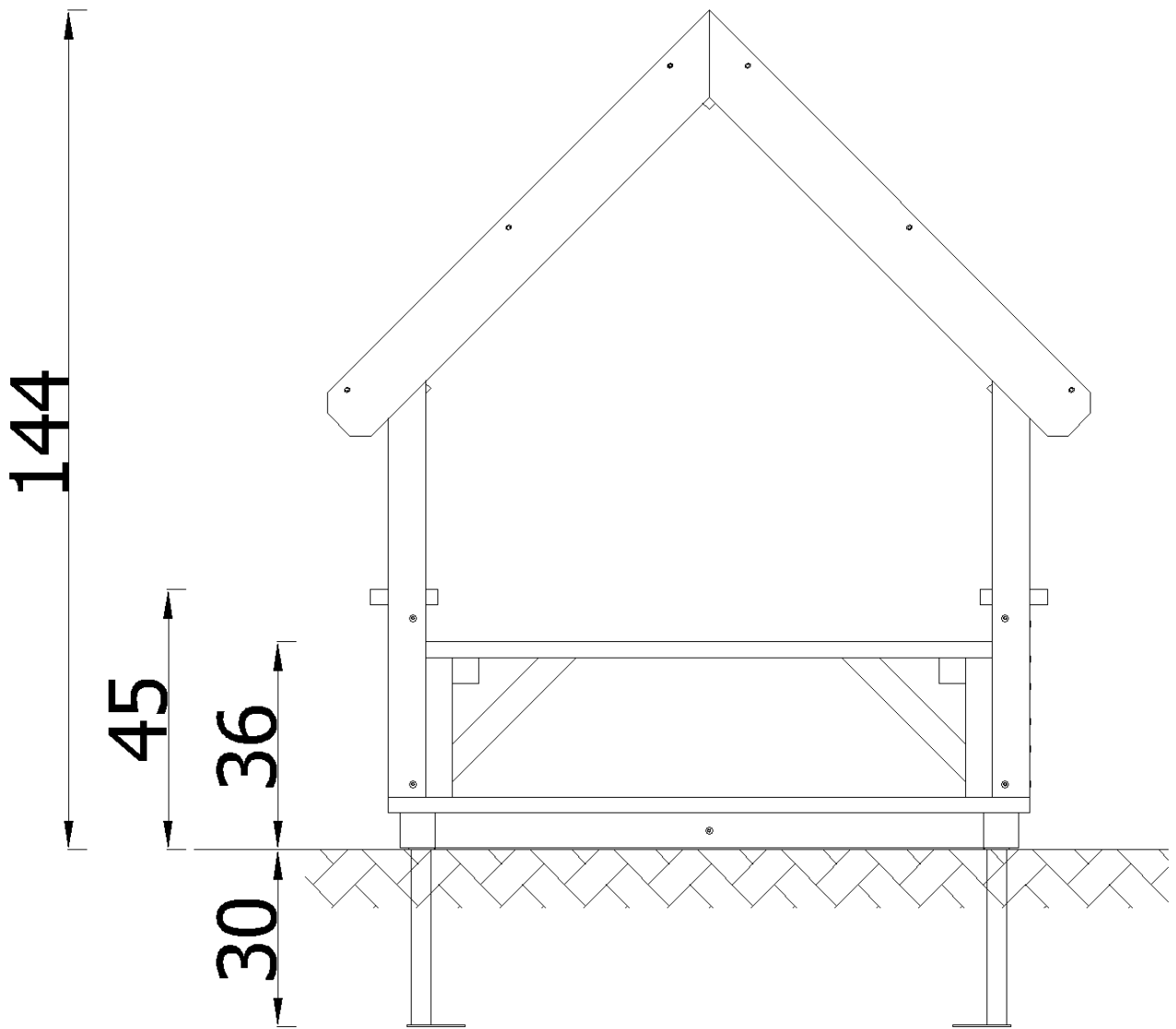
acc. to the manufacturer's data

Foundation

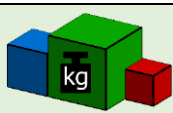
139267

Concrete: **C16/20** - **0,00** m³

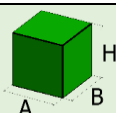
In order to control the foundations, remove the safe surface (sand, gravel, etc.)



1,31x1,28x1,44
(AxBxH) [m]



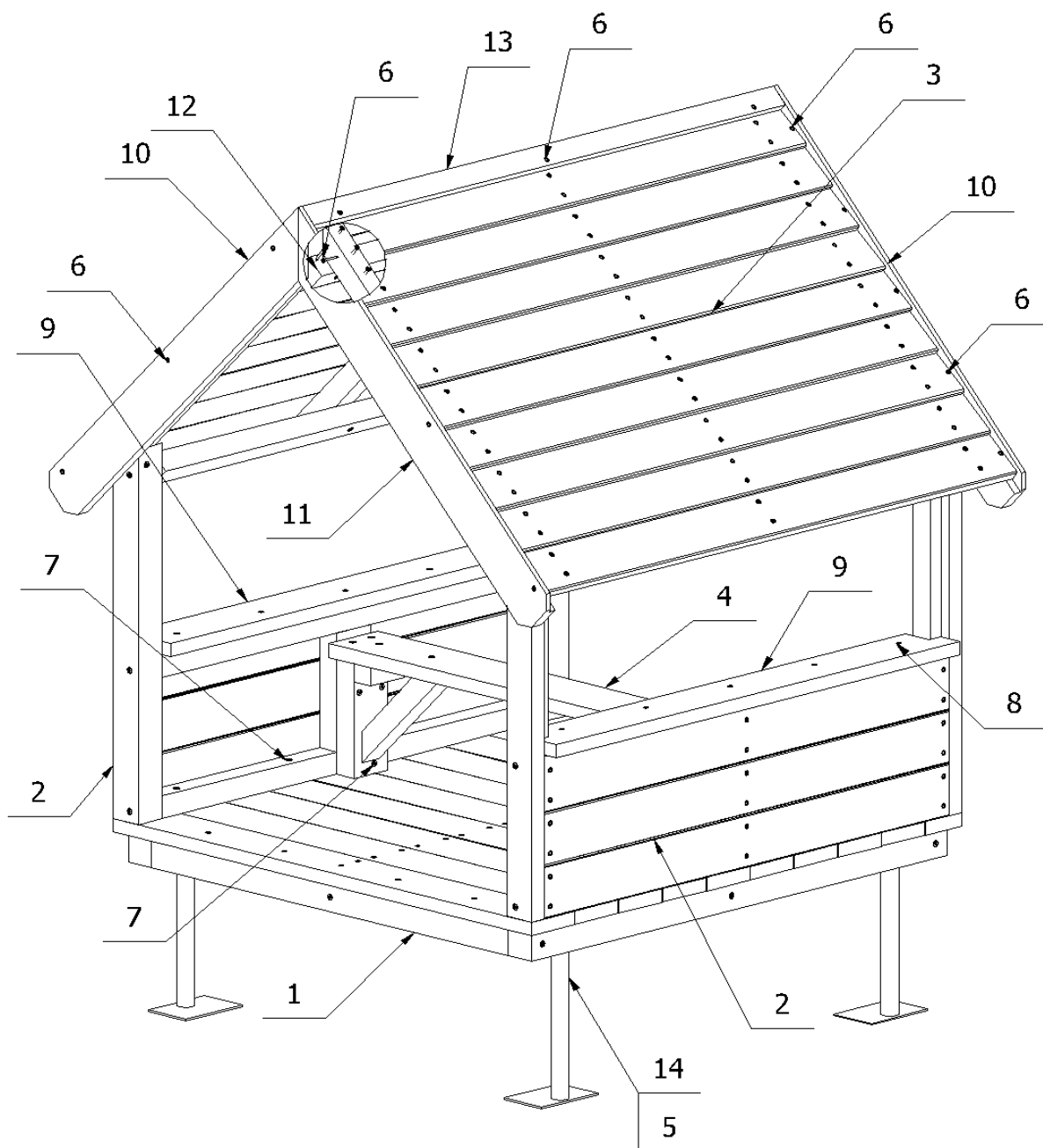
97 kg



(AxBxH) [m]



50 kg






Spare parts available from the manufacturer. Use thread glue in screw connections.

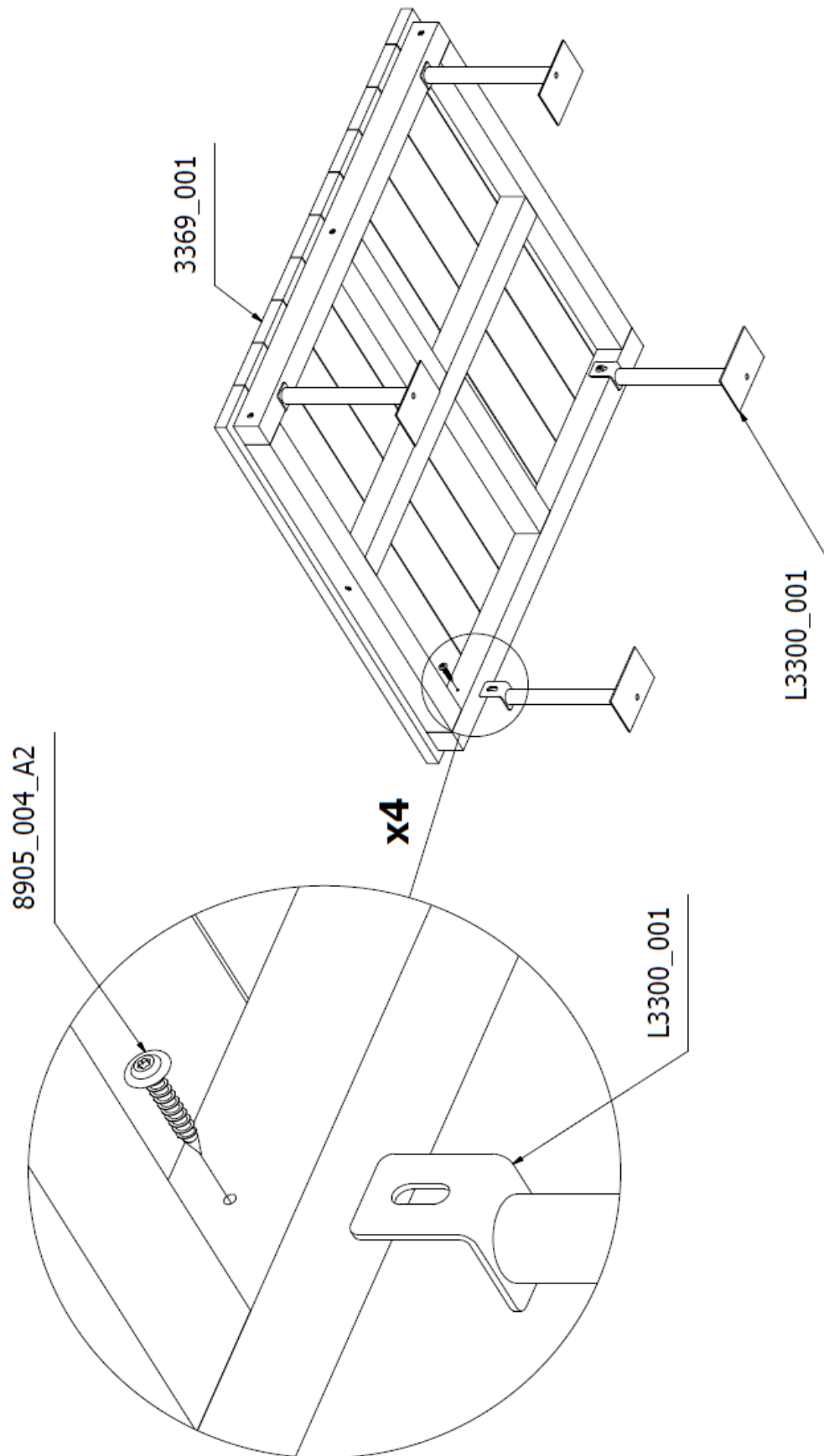
14	Kotwa 3366	L3300_001	4
13	Krawędziak 45x45x1260	Q_3369_011	1
12	Krawędziak 45x45x1220	Q_3369_010	1
11	Krawędziak 105x20x950	DSK_3369_009P	2
10	Krawędziak 105x27x950	DSK_3369_009L	2
9	Krawędziak 115x27x1080	DSK_3369_004	2
8	Wkręt stożkowy do drewna Torx 5x50	8905_163 - 5x50_A2	10
7	Wkręt stożkowy Torx 6x90	8905_161	26
6	Wkręt stożkowy do drewna Torx 5x40	8905_154 - 5X40_A2	38
5	Wkręt podkładowy Torx 8x50	8905_004_A2	4
4	Ławka	3369_004	1
3	Dach	3369_003	2
2	Ściana boczna z oknem	3369_002	2
1	Podłoga	3369_001	1
No.	Part name	Part No.	Quantity

Tools

139267

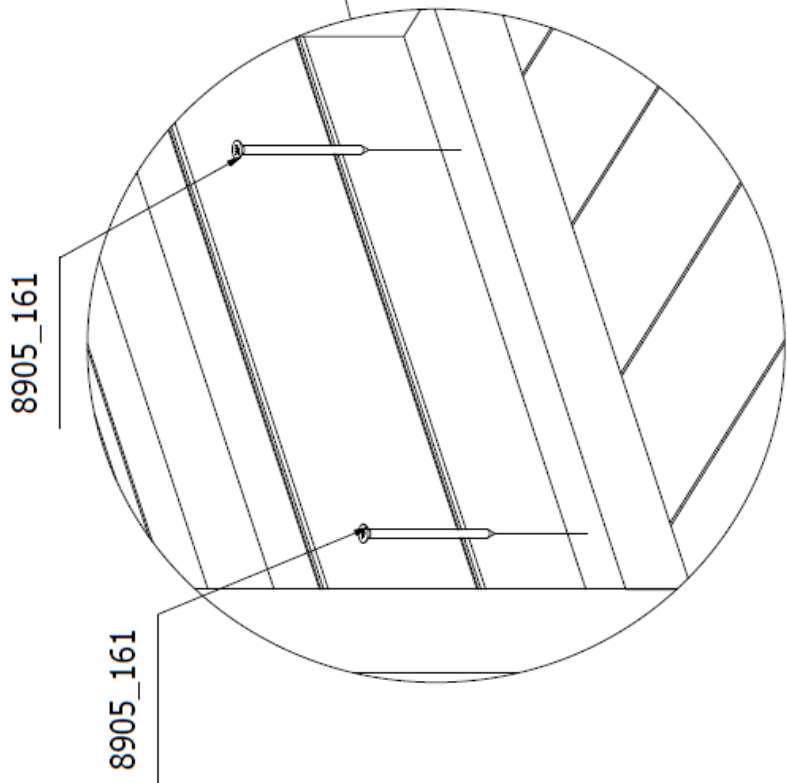
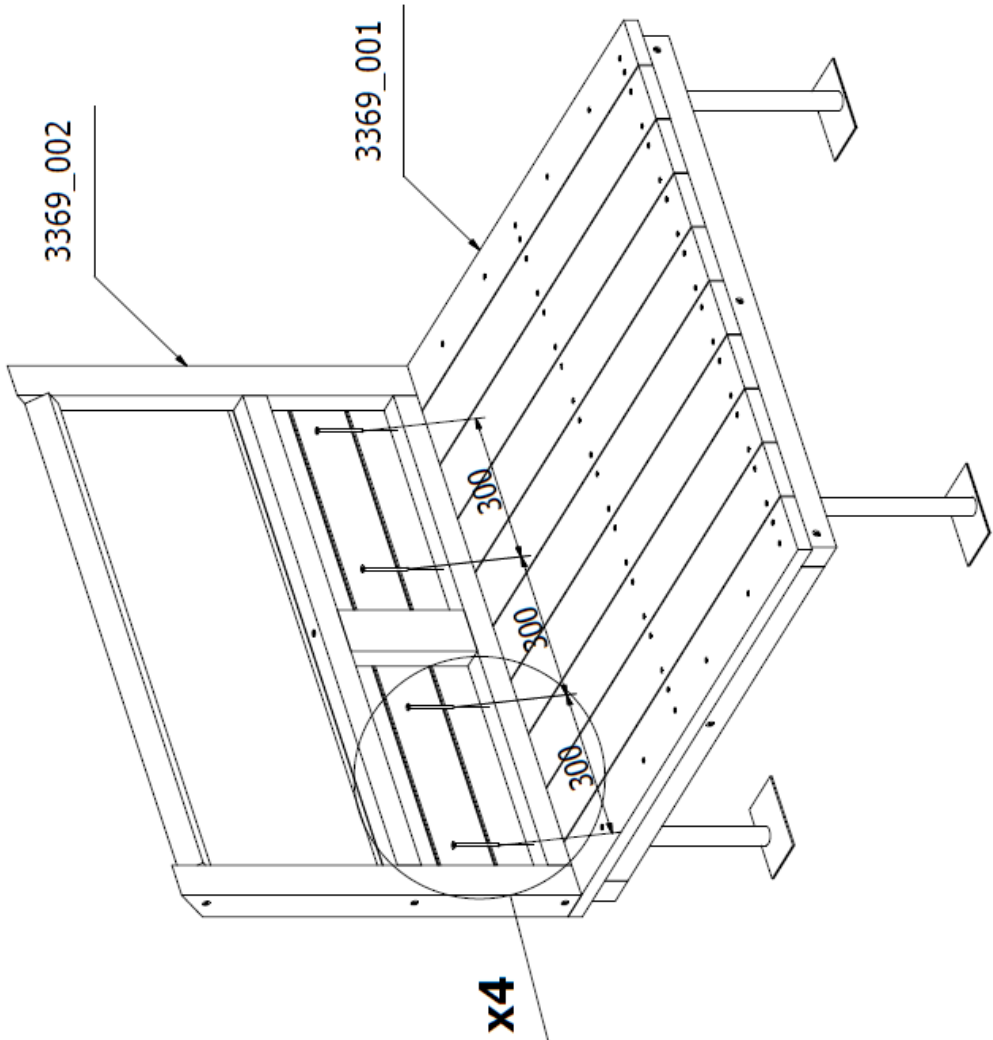
															
								5 m	30 m						
															
2,5 m				60 cm	100 cm										
															
				7 mm								13 mm	17 mm	19 mm	24 mm
															
13 mm	17 mm	19 mm	24 mm	4 mm	5 mm	6 mm	8 mm	T40				T45			
															

Attention
Before assembling the walls, the house platform should be anchored

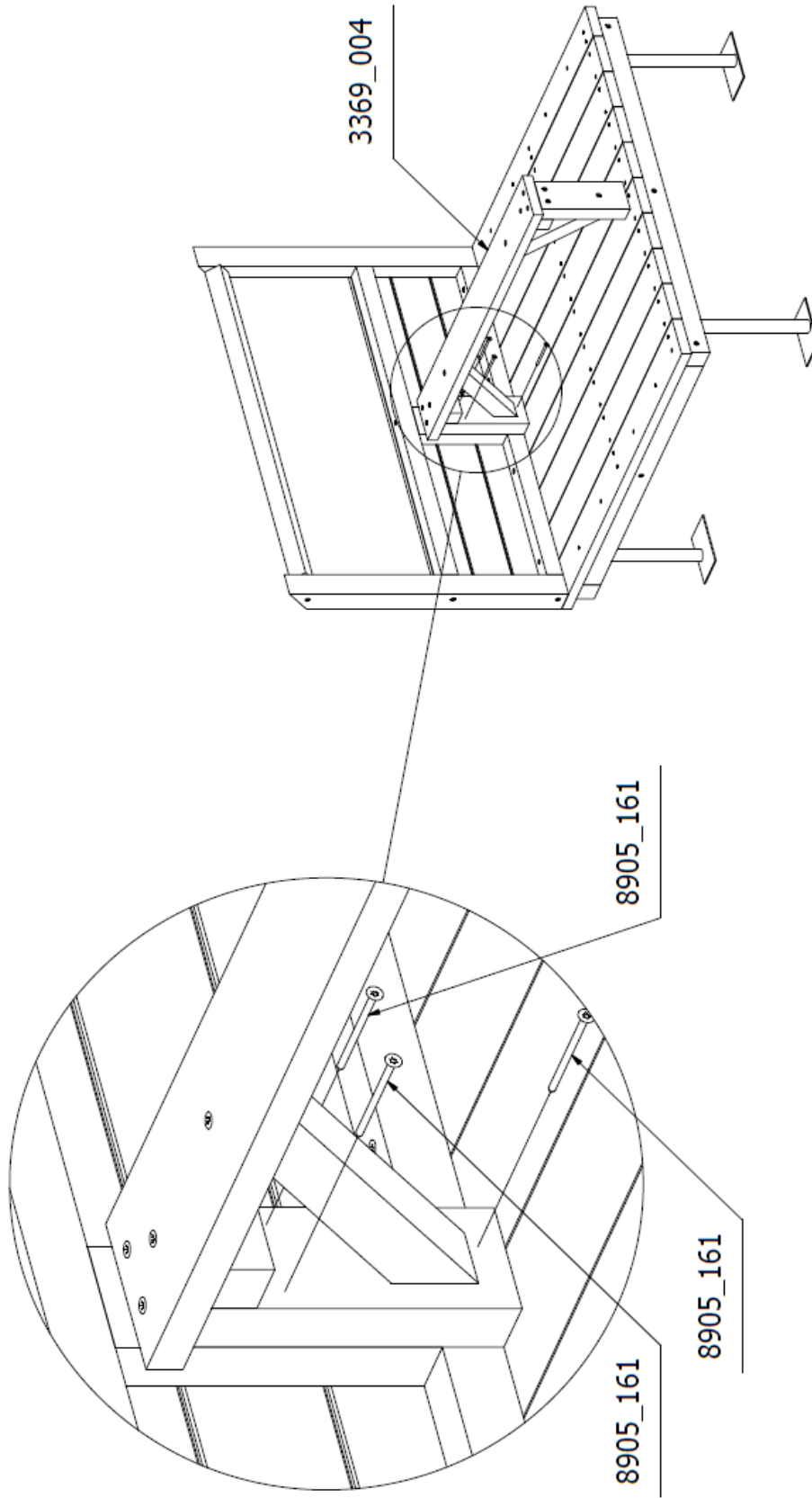


L3300_001	4
8905_004_A2	4
3369_001	1

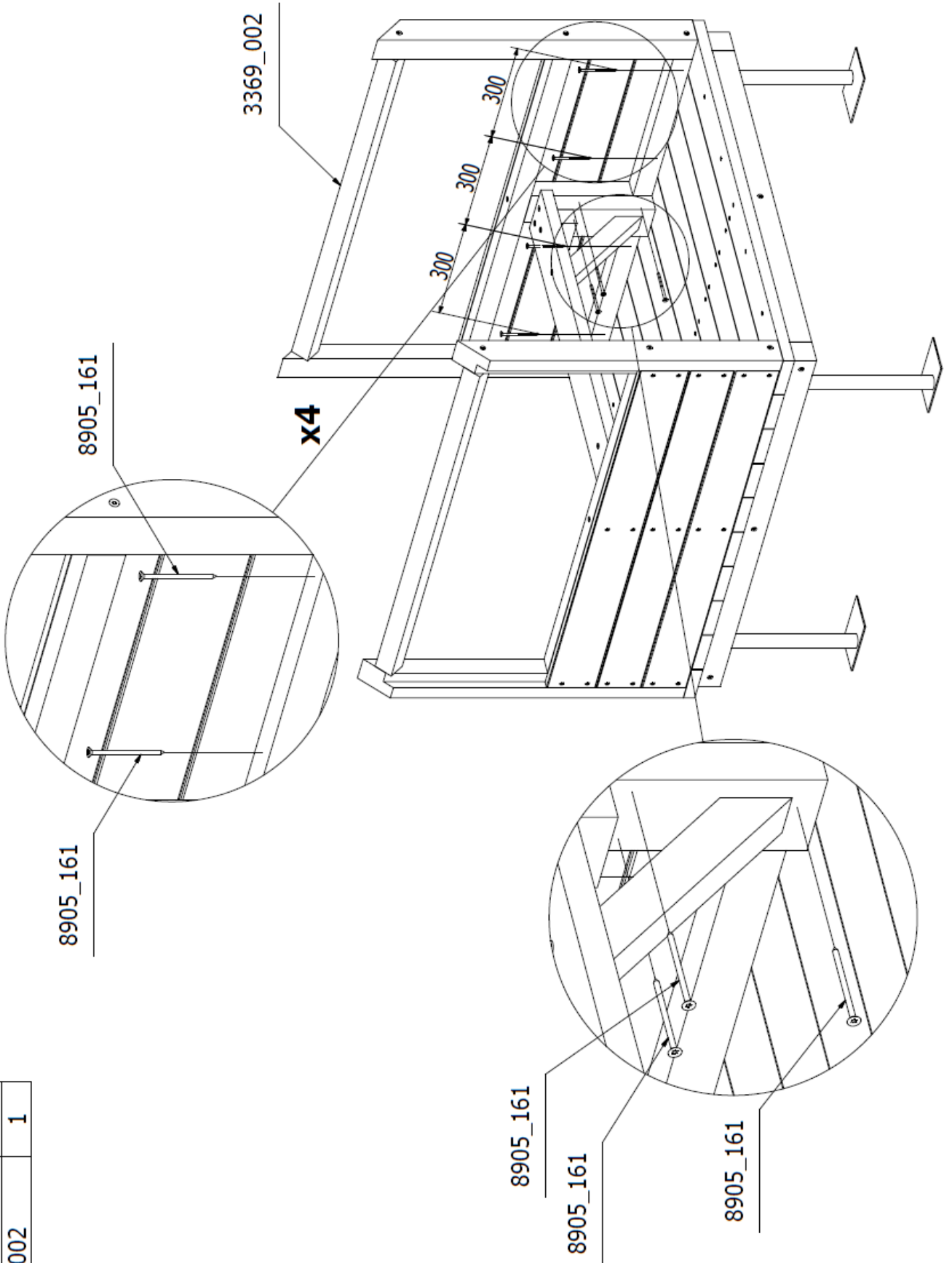
8905_161	4
3369_002	2
3369_001	1



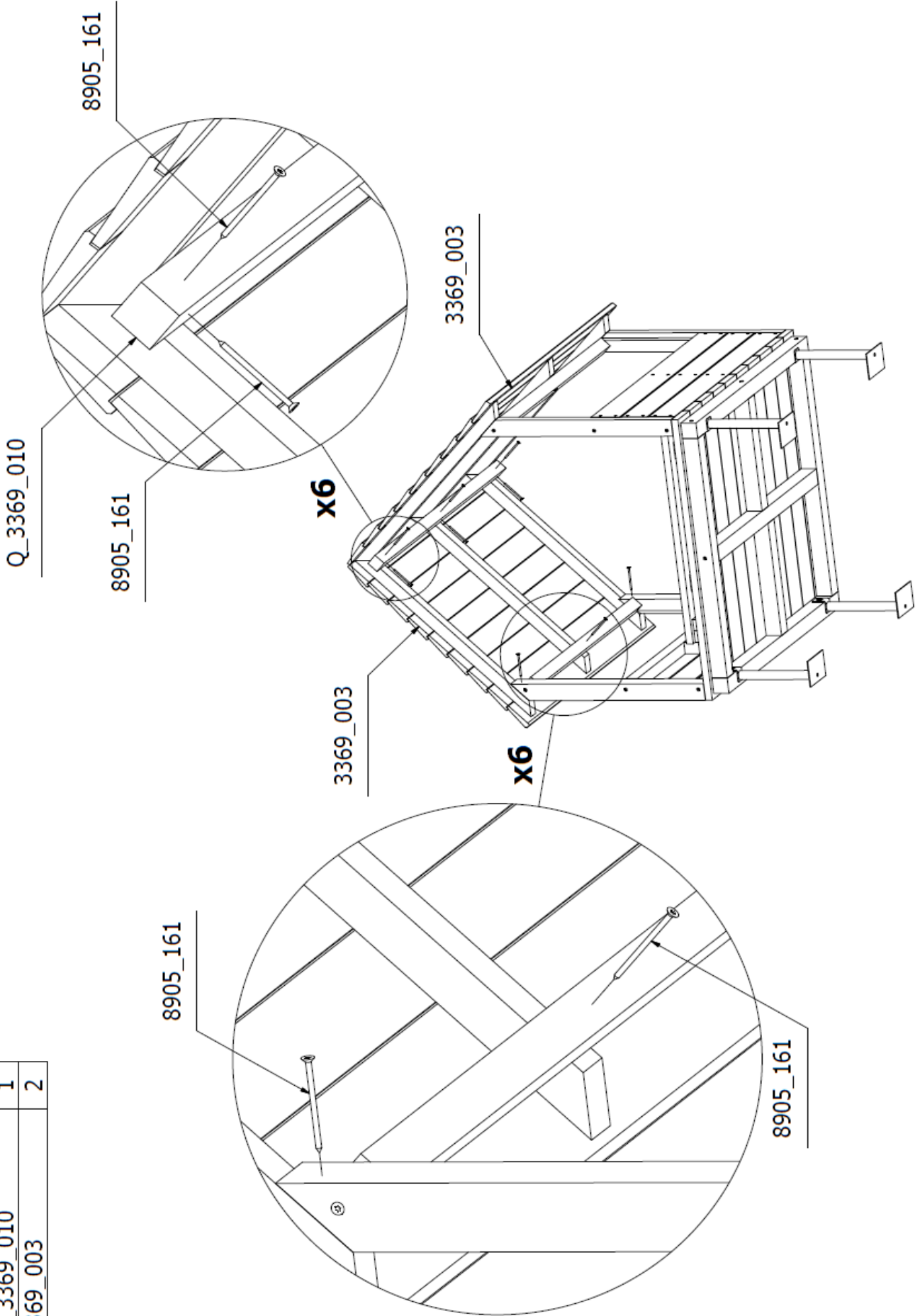
8905_161	3
3369_004	1



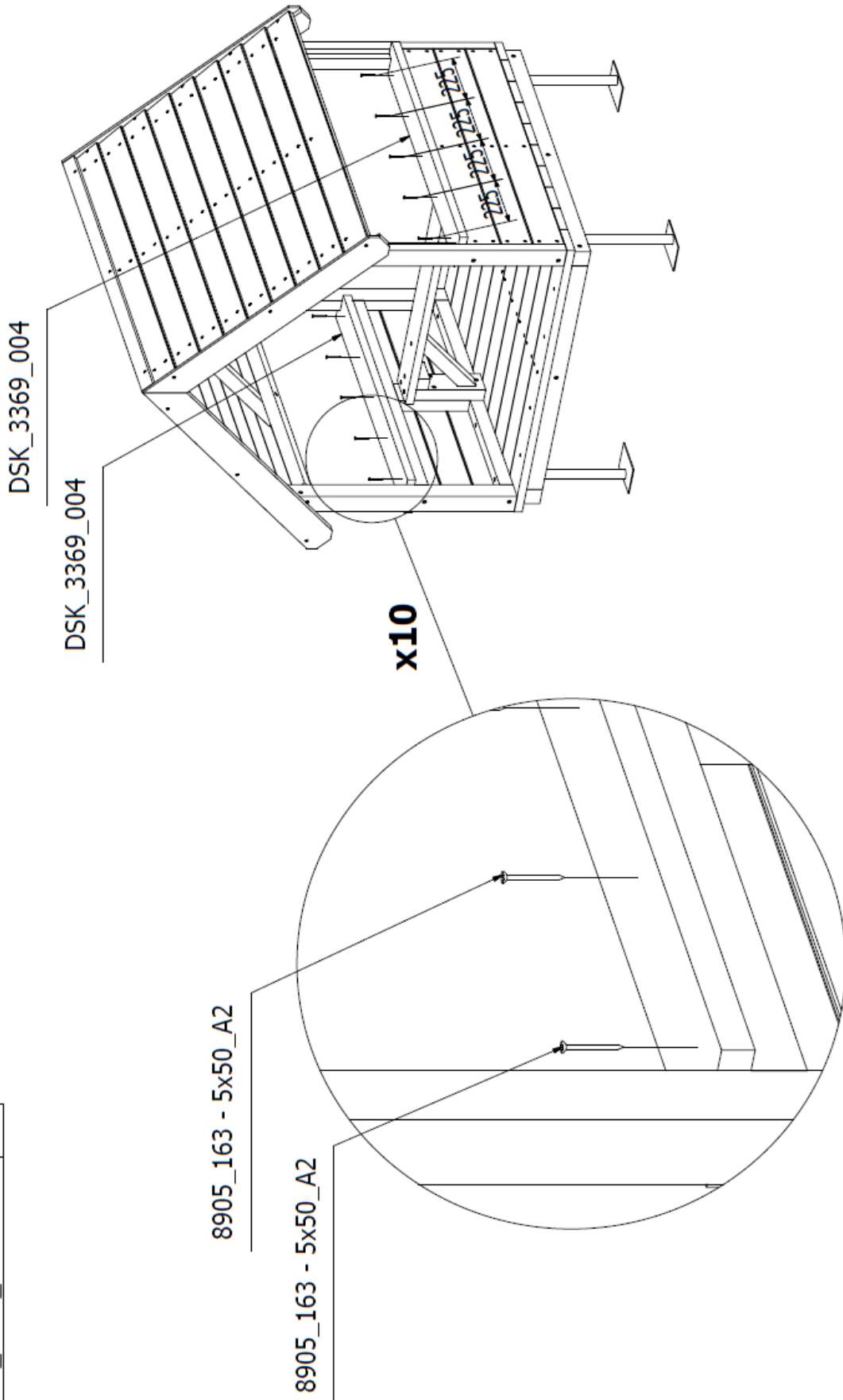
8905_161	7
3369_002	1



8905_161	12
Q_3369_010	1
3369_003	2



8905_163 - 5x50_A2	10
DSK_3369_004	2



8905_154 - 5X40_A2	38
Q_3369_011	1
DSK_3369_009P	2
DSK_3369_009L	2

