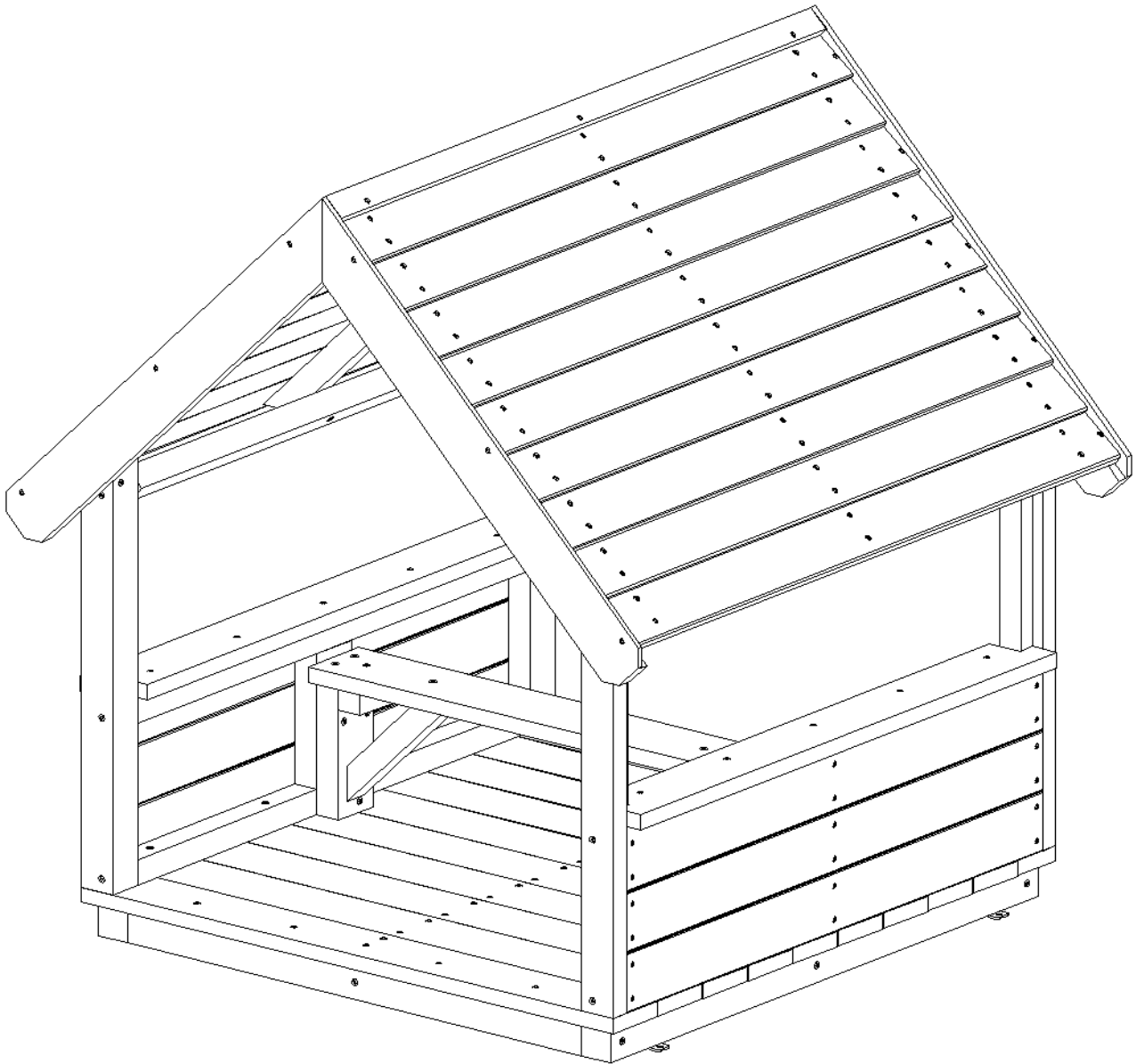
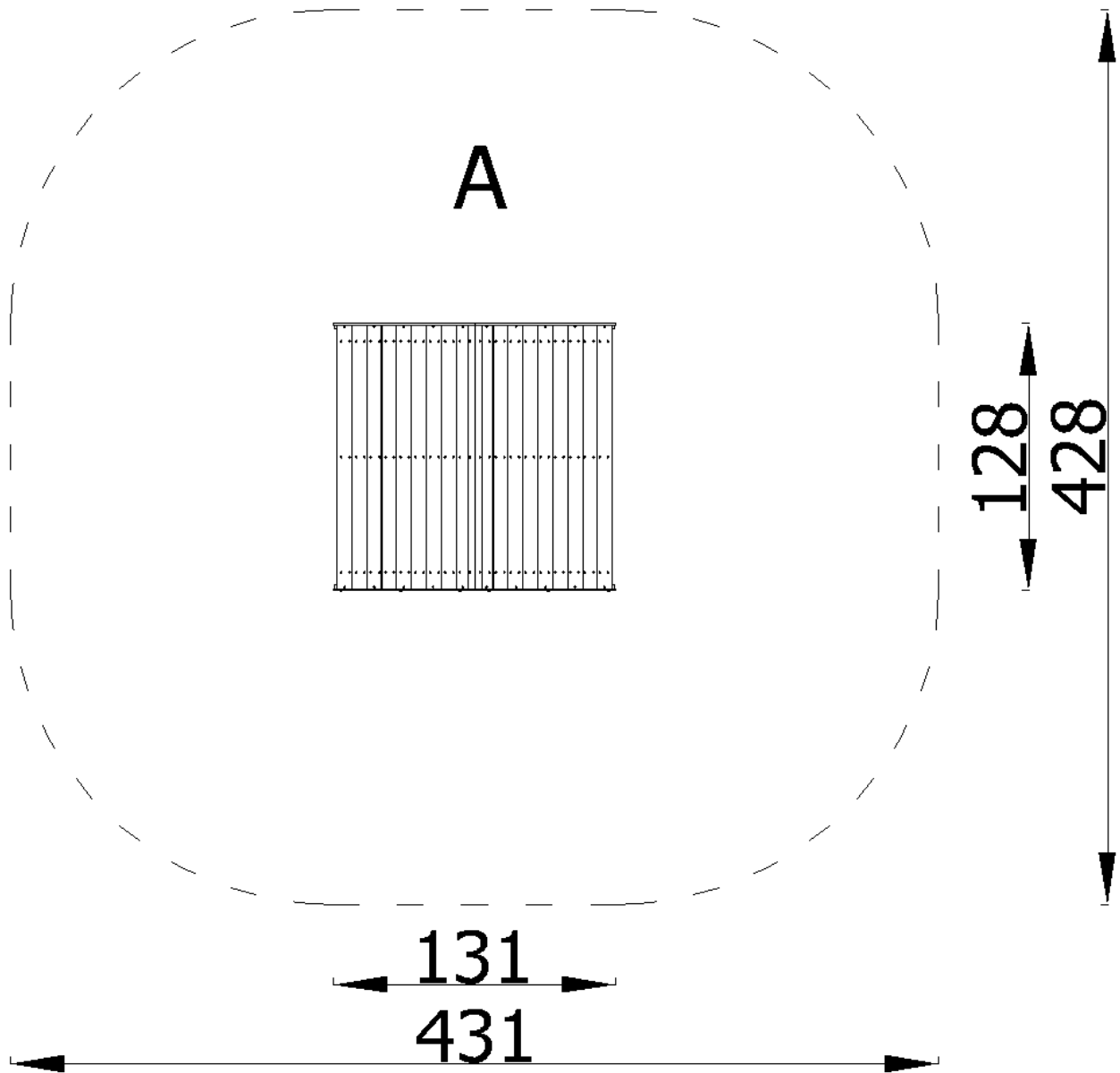


139267

Age of users	Number of users	Purpose of device	In accordance with the standard
0 - 7	4	for outdoor playing	PN-EN 1176-1:2017




Installation in accordance with the land development plan.

Safe surface

Zone	Max. fall height	Surface area	Perimeter security zone
A	0,45 m	16,50 m ²	14,60 m
B	-	-	
C	-	-	

Safe surface

139267

	Material		Min. layer thicknesses
h<0,6 m	Concrete Bituminous surfacing		
h<1 m	Topsoil Turf		
h<2 m	Bark	20÷80 mm	300
	Wood chips	5÷30 mm	
	Sand Gravel	0,25÷8 mm	
h<3 m	Bark	20÷80 mm	400
	Wood chips	5÷30 mm	
	Sand Gravel	0,25÷8 mm	
h<3 m	Synthetic granulates		acc. to the manufacturer's data

Foundation

139267



or

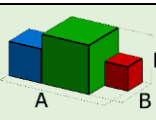
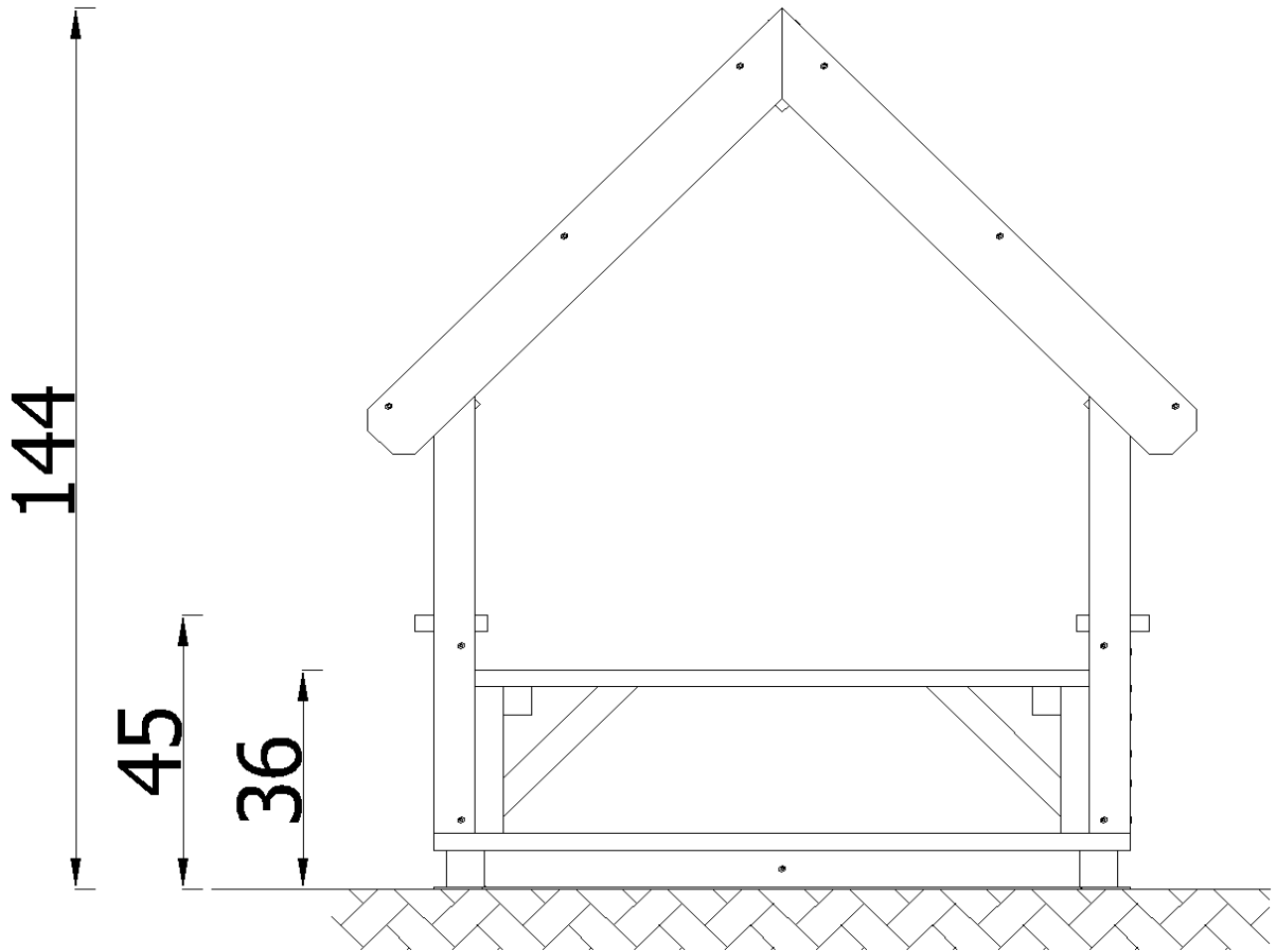


WARNING:

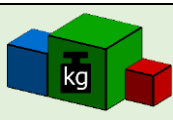
- Anchors mounted to a concrete slab with
dowels or chemical anchors!

Concrete: **C16/20** - **0,00 m³**

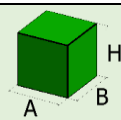
In order to control the foundations, remove the safe surface (sand, gravel, etc.)



1,31x1,28x1,44
(AxBxH) [m]



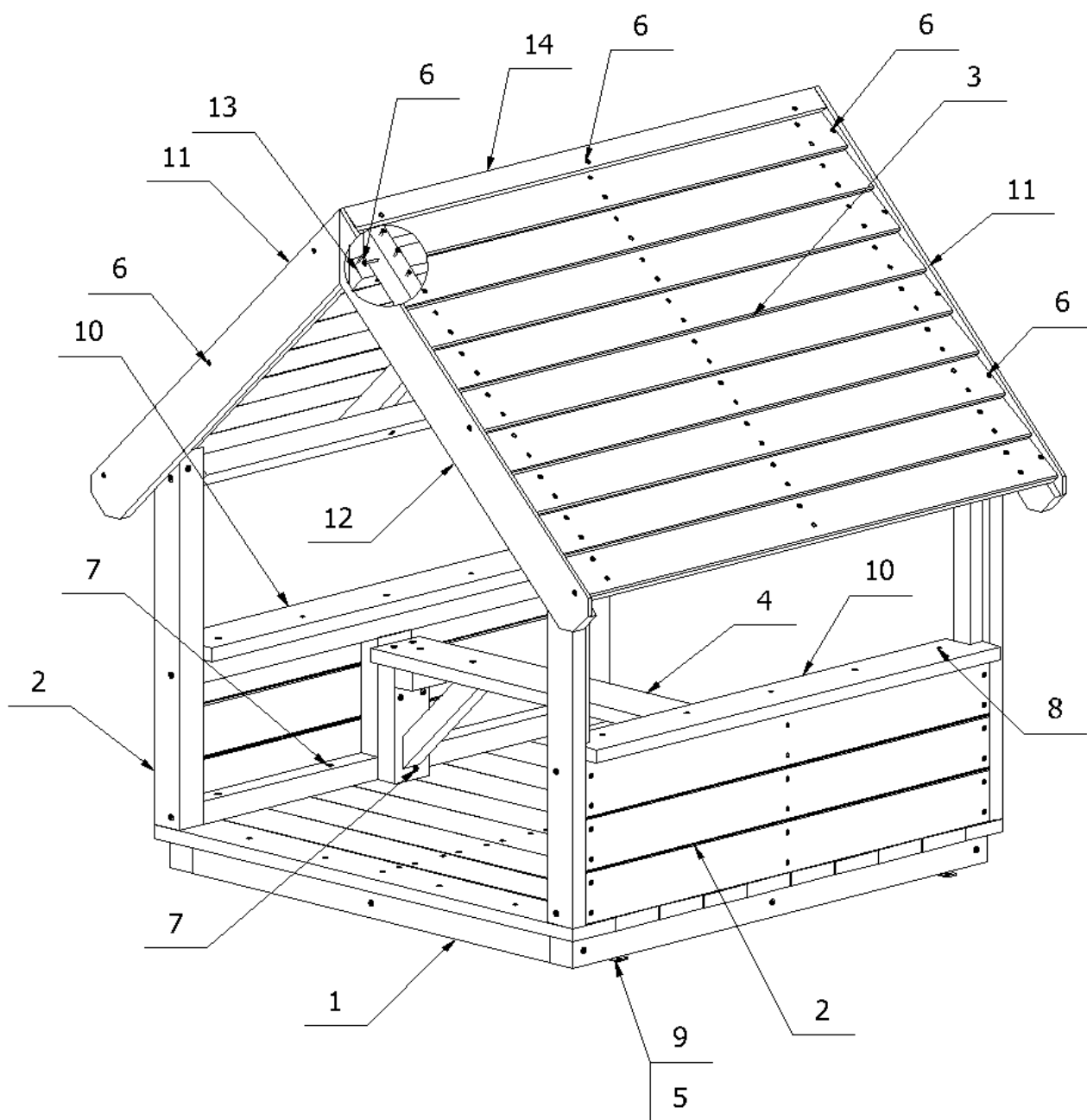
97 kg



(AxBxH) [m]



50 kg














Spare parts available from the manufacturer. Use thread glue in screw connections.

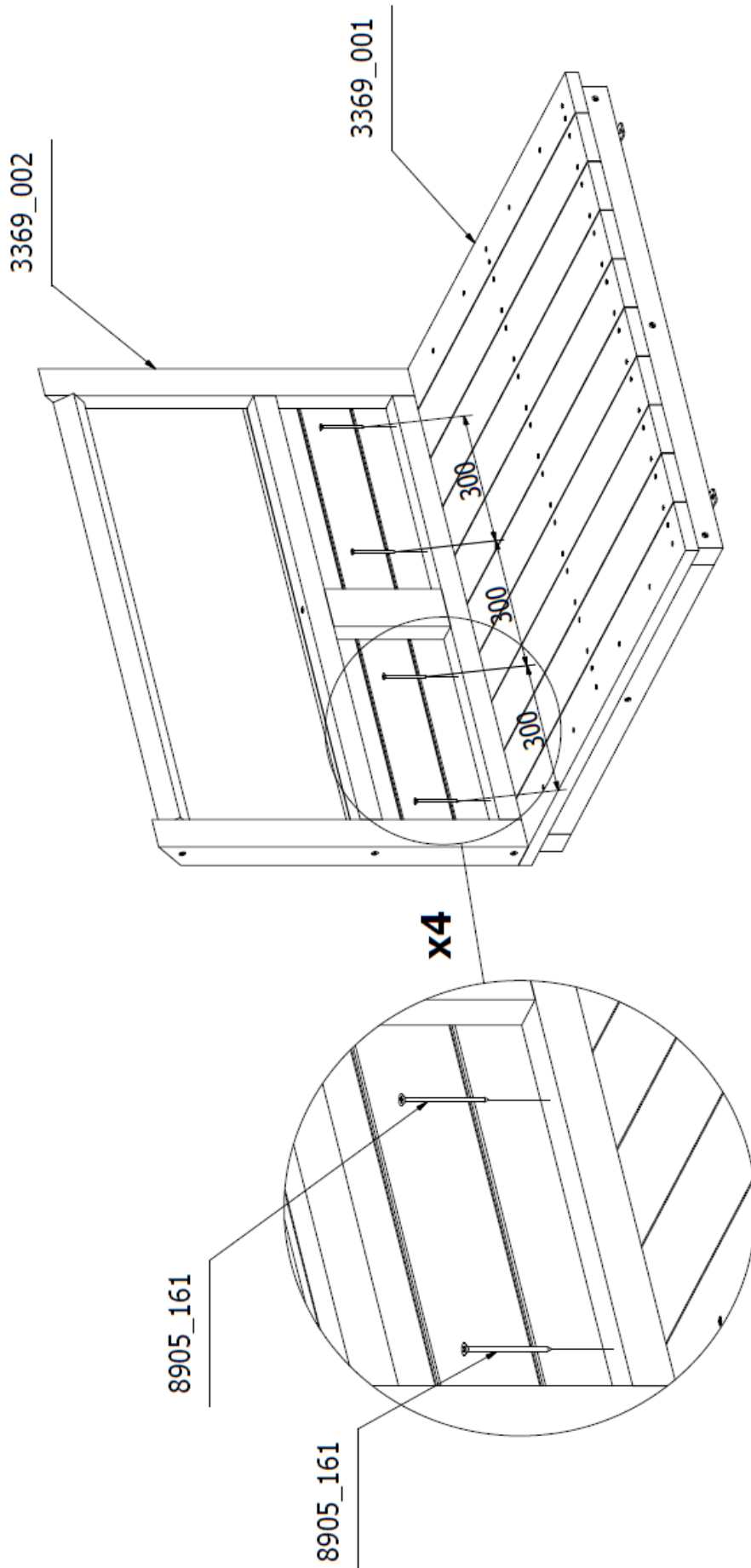
14	Board	Q_3369_011	1
13	Board	Q_3369_010	1
12	Board	DSK_3369_009P	2
11	Board	DSK_3369_009L	2
10	Board	DSK_3369_004	2
9	Sheet metal 3x128x30	B_3369_001	4
8	Torx 5x50 countersunk wood screw	8905_163 - 5x50_A2	10
7	Torx 6x90 conical screw	8905_161	26
6	Torx 5x40 countersunk wood screw	8905_154 - 5X40_A2	38
5	Torx washer screw 8x50	8905_004_A2	4
4	Bench	3369_004	1
3	Roof	3369_003	2
2	Side wall with a window	3369_002	2
1	Floor	3369_001	1
No.	Part name	Part No.	Quantity

Tools

139267

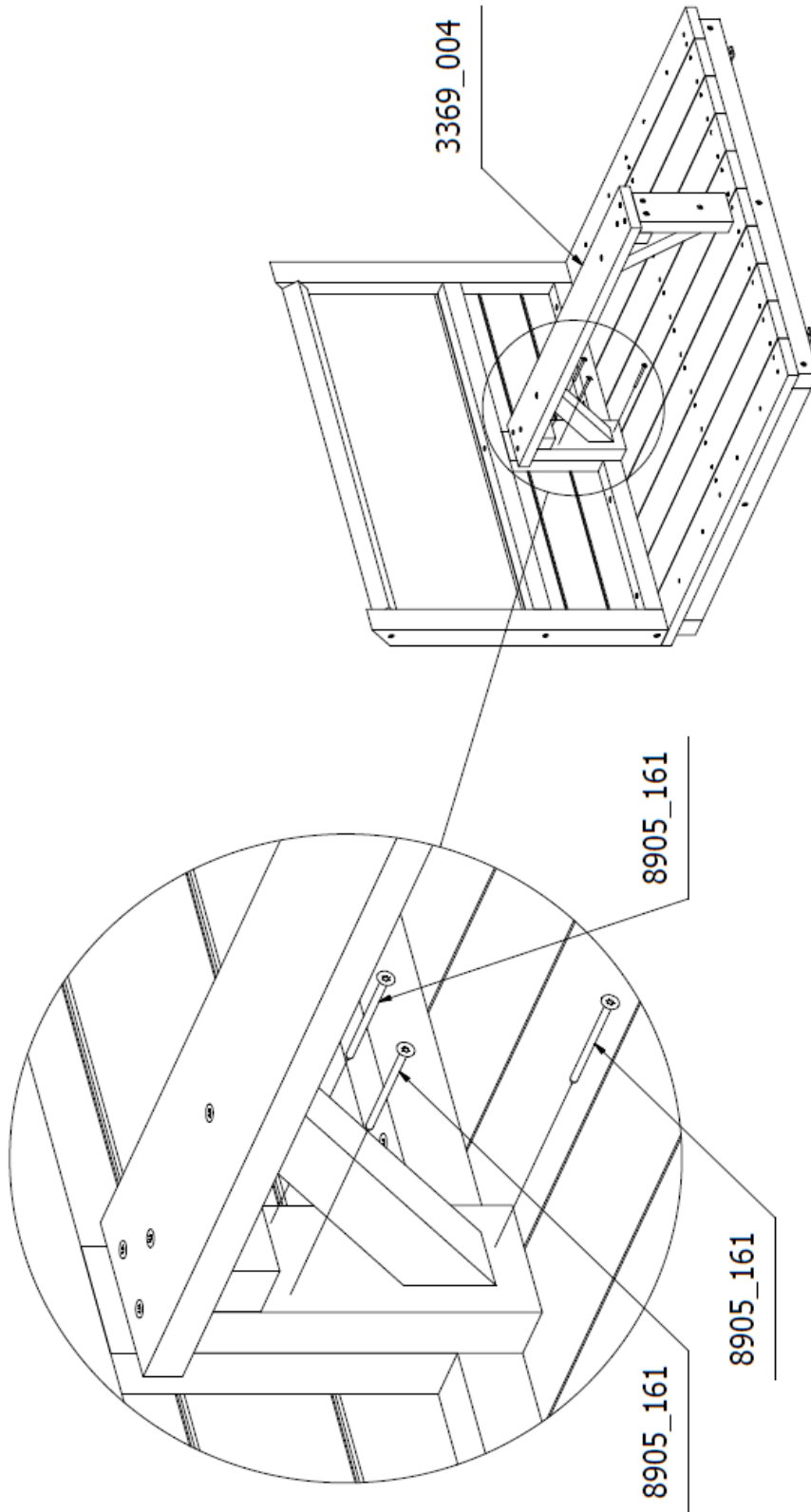
															
								5 m	30 m						
															
2,5 m				60 cm	100 cm										
															
				7 mm								13 mm	17 mm	19 mm	24 mm
															
13 mm	17 mm	19 mm	24 mm	4 mm	5 mm	6 mm	8 mm	T40				T45			
															

Attention
Before assembling the walls, the house platform should be anchored

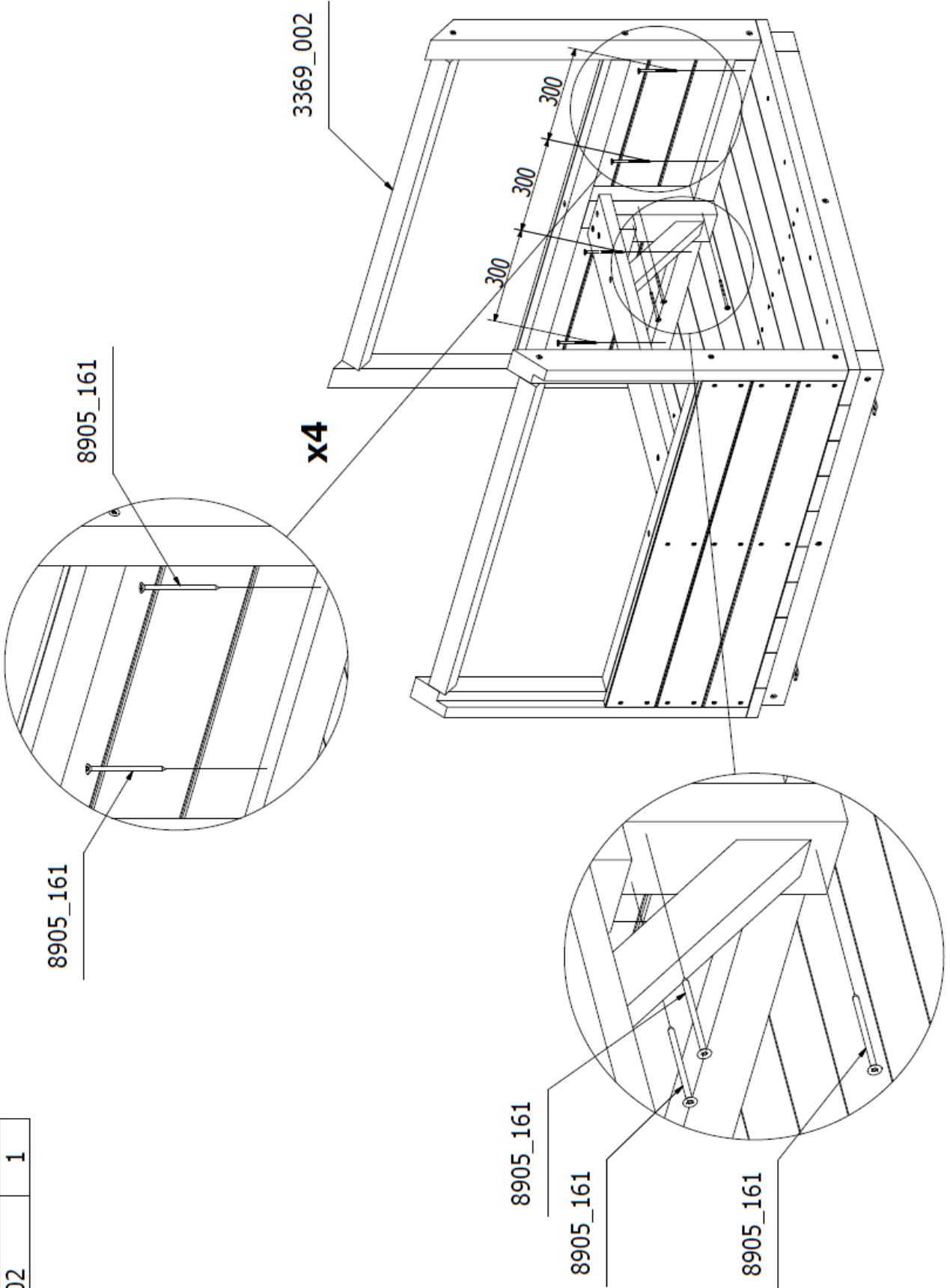


8905_161	4
3369_002	1
3369_001	1

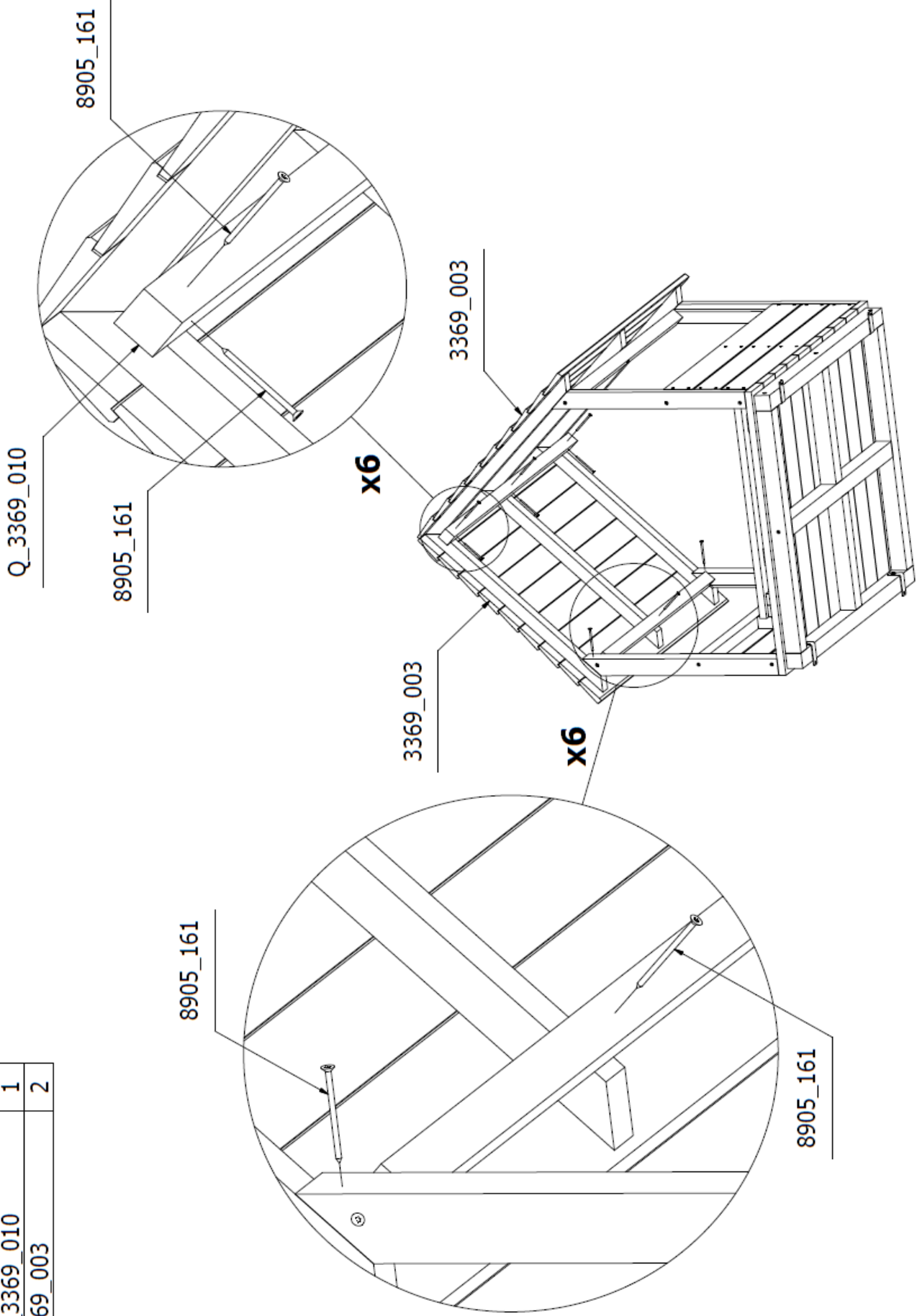
8905_161	26
3369_004	1



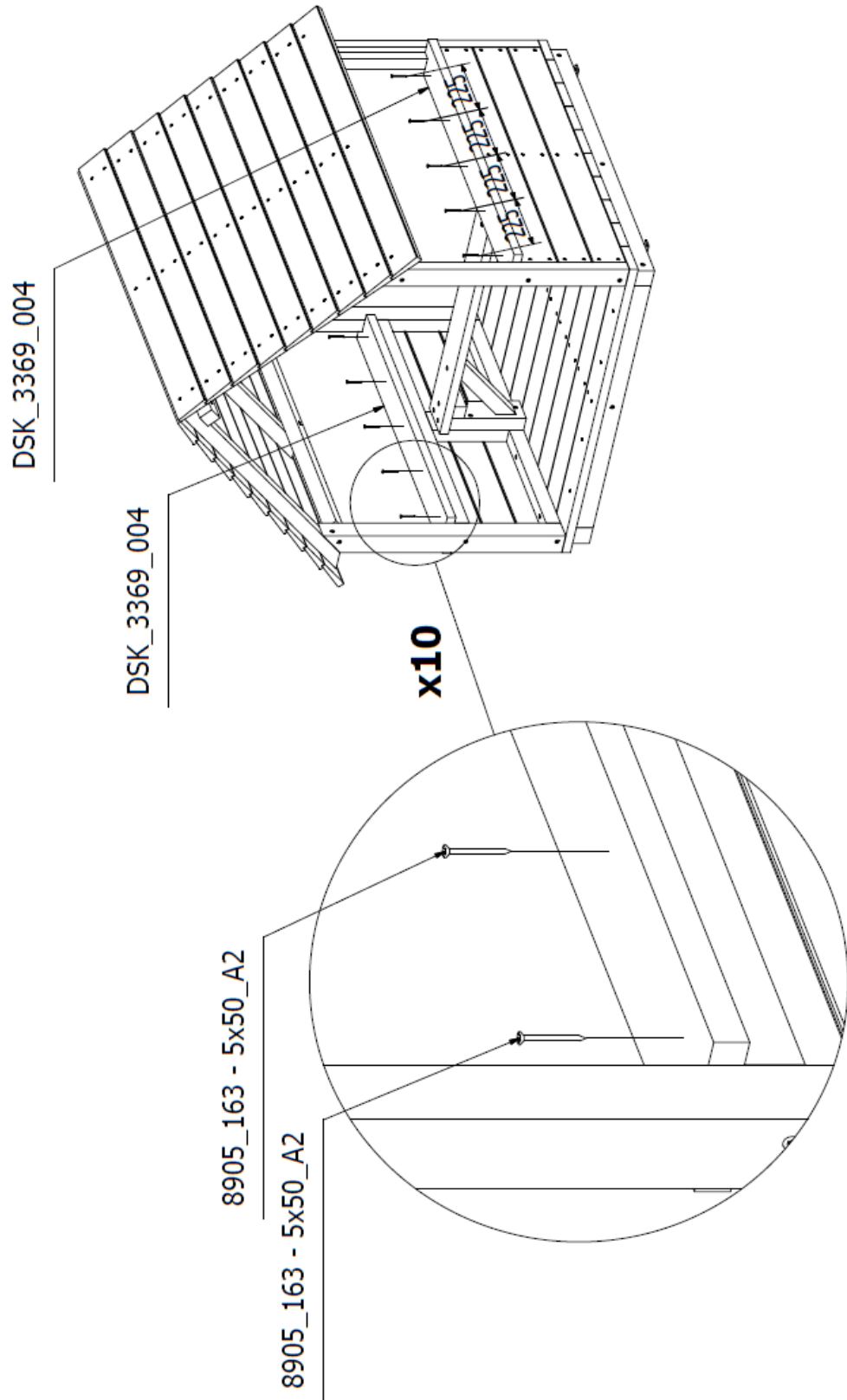
8905_161	7
3369_002	1



8905_161	12
Q_3369_010	1
3369_003	2



8905_163 - 5x50_A2	10
DSK_3369_004	2



8905_154 - 5X40_A2	38
Q_3369_011	1
DSK_3369_009P	2
DSK_3369_009L	2

