

Pictures for illustration purposes only

**SOYO WIRELESS TECHNOLOGY GROUP LIMITED**

ADD: 7/F KIN ON COMM BLDG 49-51 JERVOIS  
ST SHEUNG WAN, HONG KONG

TEL: +852-21527388 FAX: +852-35719160

Imported by: **tts**

TTS Group LTD,  
Unit 1 Park Lane Business Park, Park Lane, NG17 9GU, UK.

Tel: 0800 138 1370

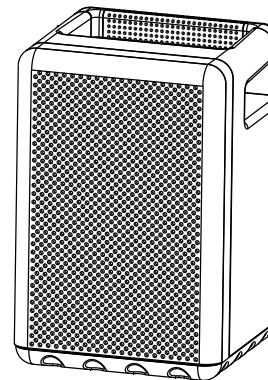
Email: [sales@tts-group.co.uk](mailto:sales@tts-group.co.uk)

Web: [www.tts-group.co.uk](http://www.tts-group.co.uk)



# User Manual

## Wireless Outdoor Speaker



---

## ※ **Contents**

Packing list.....	02
Safety precautions and procedures.....	03
Operation panel.....	04
Operating instructions.....	05
Trouble shooting.....	07
Specifications.....	08

## ※ Packing List

Wireless outdoor speaker.....	1 Pc
AC adapter.....	1 Pc
Power plug.....	4Pcs
User manual.....	1 Pc

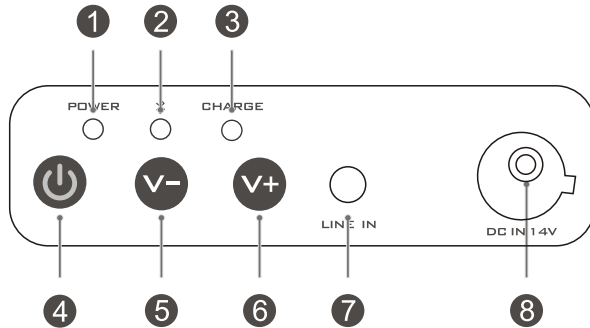
## ※ Safety Precautions and Procedures

**Attention! To avoid injury from electric shock adhere to the following safety procedures:**

- ◇ **DO NOT** touch the power plug with wet hands. Power outlet must be 100-240V AC.
- ◇ **DO NOT** pull on the power cord to disconnect from the outlet. Stress to the cord can result in pulling the cord from the plug.
- ◇ **DO NOT** place the speaker around direct sunlight or any heat source such as electric/gas stove or heaters of any kind. Do not place near an open flame.
- ◇ **DO NOT** place anything on top of the speaker. Allow the speaker to sit in an “open air” environment with plenty of obstacles around it. Unit can overheat when not in an “open air” environment.
- ◇ **DO NOT** take apart the speaker for any reason. This could cause electric shock. Please direct questions to customer support.

**NOT FOLLOWING SAFETY PROCEDURES VOIDS ALL WARRANTIES!**

## ※ Operation Panel



- |                             |                       |
|-----------------------------|-----------------------|
| ① Power status light        | ⑤ Volume down         |
| ② Bluetooth indicator light | ⑥ Volume up           |
| ③ Charging status light     | ⑦ Line In, 3.5mm jack |
| ④ Power switch              | ⑧ DC in jack          |

## ※ Operating Instructions

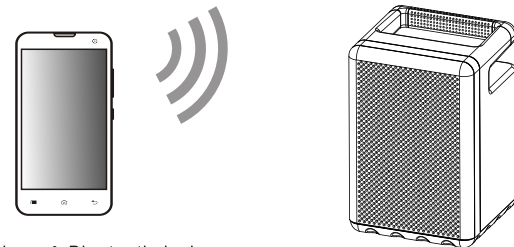
When in daily use, please power on and power off ,when you don't use it. Operating steps:

### **Step1. Turn on the bluetooth speaker and prepare your bluetooth device.**

- Press/hold the power switch for 3 seconds to turn on the speaker, The power status light will now shine red.
- Turn on the bluetooth on your device, and prepare to sync devices.

### **Step2. Bluetooth connection**

Search for device called "TP-WSD10" from your bluetooth device, no password is needed. Connect to the device and you will hear "Paring completed." , When connected, the bluetooth indicator will shine green .



● Cellphone & Bluetooth devices

● Bluetooth speaker

### Step3.Play music

After the bluetooth is connected, open the music player from your bluetooth device and play.When playing music the bluetooth indicator will shut off.

### Step4.Turn off the speaker & bluetooth device

- a.Press/hold the power switch for 3 seconds to turn off the speaker, the power status light will shut off.
- b.Turn off your bluetooth device as necessary.

### Wired Audio Mode/Aux line in

Plug an auxiliary audio cable,3.5mm jack into the speaker. Connect the other end of the jack into your music device. Then you can play music.



**Note:** Don't use the bluetooth mode while using the wired audio mode.Volume adjustment from your music play or the bluetooth speaker maybe necessary.

### ※ Trouble Shooting

#### 1. Can not find "TP-WSD10" with your bluetooth device when pairing.

Reaon1: Bluetooth speaker battery could be low.  
Solution1: Please charge the speaker.

Reaon2: The speaker could not be powered on.  
Solution2: Please make sure the speaker is on.

Reaon3: The speaker could be out of bluetooth range.  
Solution3: Please make sure the range is not beyond 10meters (30 feet).

#### 2. Can not connect to "TP-WSD10" with your blue-tooth device.

Reaon1: Bluetooth device could be paired with another device.  
Solution1: Turn off the other connected device and pair again.

Reaon2: Bluetooth may need to be restarted.  
Solution2: Power the speaker off and on.Connect devices and pair.

## ※ Specifications

NO.	Description	Wireless outdoor Speaker
1	Frequency	2.4G ISM
2	Power(input voltage)	DC14V
3	THD	0.3%@1KHz
4	Distance	10 meters(30feet)
5	Sample Ratios	64KHz/16bit
6	S/N Ratio	>95dB
7	Battery Type	Lithium
8	Battery usage/life	Up to10 hours
9	Battery charge time	Around 6 hours
10	Output power	30Watts
11	Frequency Modulation	Automatically
12	Work temperature	-25°C~+ 85°C
13	Weight	5.09lbs
14	Product dim	6.75"x6.5"x10.25"(WxDxH)